

Fig. N. Abb. N.	Part. N. Piece N. Bestell N. Pieza N.	Qt. Anzahl	DESCRIZIONE	DESCRIPTION	DESCRIPTION	BENENNUNG	DESCRIPCION
★	308013-4-01	1	bussola destra completa	right bush assembly	bague droite complète		
■	308178-4-00	1	gruppo biella principale	main con-rod assembly	groupe bielle principale		
◆	310353-4-00	1	gruppo biella con eccentrico e perno	con-rod with eccentric and pin assembly	groupe bielle avec excentrique et pivot		
1	308254-3-00	1	biella con eccentrico e viti	con-rod with accentric and screws	bielle avec excentrique et vis		
2	308310-0-00	1	perno a sfera	ball joint	pivot à sphere		
3	308802-0-00	2	vite per biella	screw for con-rod	vis pour bielle		
4	308855-0-00	1	vite	screw	vis		
5	308174-3-00	1	biella principale completa	main con-rod assembly	bielle principale complète		
6	741056-0-00	2	vite	screw	vis		
7	302272-0-10	1	settore	sector	secteur		
8	704869-0-00	1	rondella	washer	rondelle		
9	745815-2-00	2	vite	screw	vis		
10	308084-2-00	1	anello di registro con viti	adjustment ring with screws	bague de réglage avec vis		
11	746408-2-00	1	dado	nut	écrou		
12	705013-0-00	1	rondella	washer	rondelle		
13	745812-2-00	2	vite	screw	vis		
14	308159-2-01	1	manovella	crank	manivelle		
15	308166-0-00	1	perno	pin	pivot		
16	308161-0-00	2	vite	screw	vis		
17	308149-0-01	2	rondella	washer	rondelle		
18	308162-0-00	2	dado	nut	écrou		
19	308127-0-00	1	guarnizione	gasket	garniture		
20	308012-2-01	1	bussola	bush	bague		
21	700596-0-00	1	anello di tenuta	retainer ring	bague d'étanchéité		
22	742222-2-00	3	vite	screw	vis		

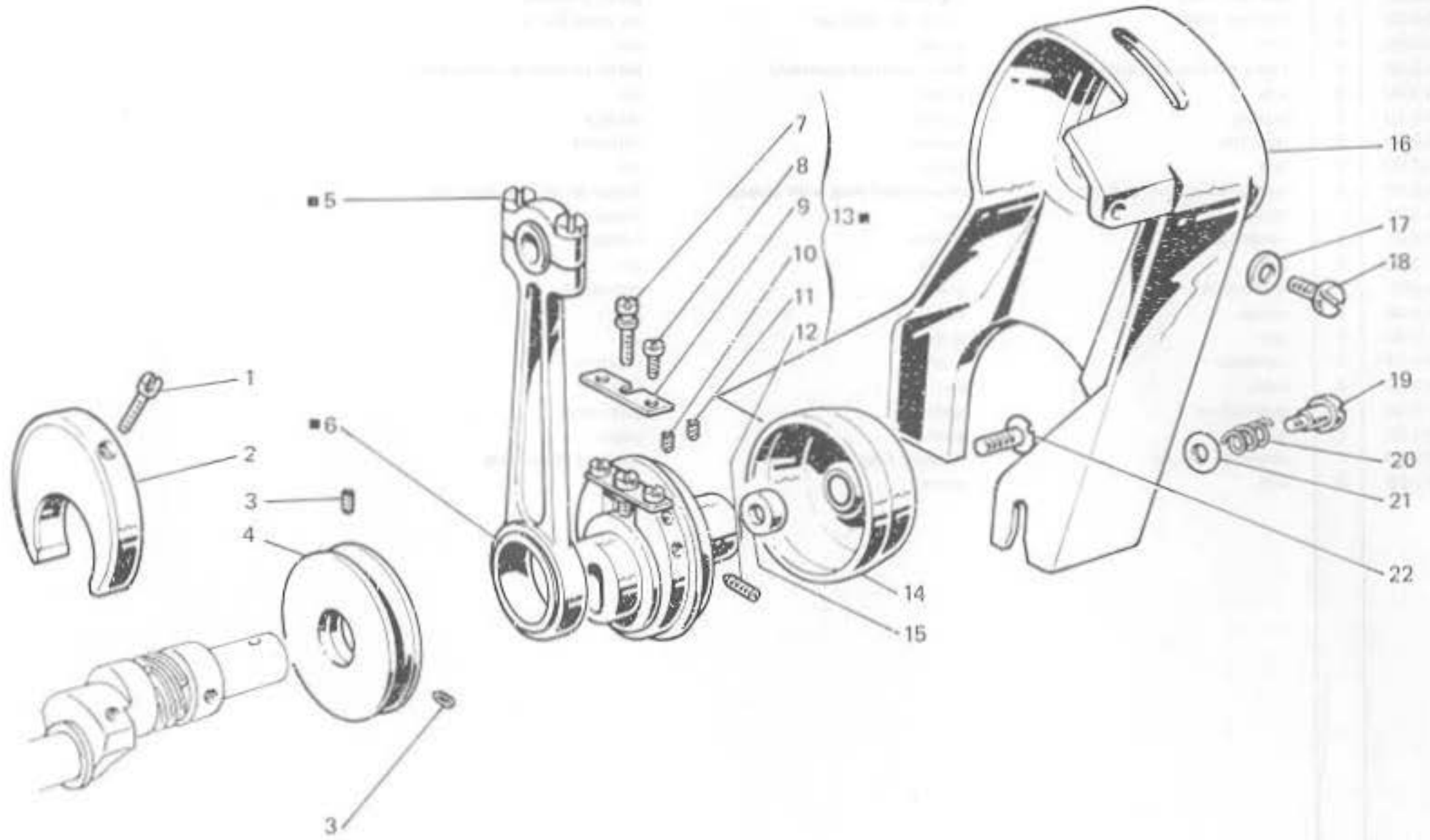


Fig. N. Abb. N.	Part. N. Pezce N. Bestell N. Pieza N.	Qt. Anzahl	DESCRIZIONE	DESCRIPTION	DESCRIPTION	BENENNUNG	DESCRIPCION
■	304481-4-00	1	biella con eccentrico regol.	con-rod with eccentric	bielle avec excentrique		
1	741088-2-00	2	vite	screw	vis		
2	304445-0-11	1	contrappeso destro	right conterweight	contrepooids droit		
3	729044-2-00	2	vite	screw	vis		
4	308301-0-00	1	volantino	handwheel	volant		
5	743482-2-00	2	vite	screw	vis		
6	304480-0-00	1	cuscinetto	pad	cussin		
7	304412-0-10	1	vite di registro	adjustment screw	vis de réglage		
8	741721-2-00	2	vite	screw	vis		
9	304413-0-10	1	piastrina	plate	plaque		
10	304462-0-20	2	vite	screw	vis		
11	745317-0-00	2	vite	screw	vis		
12	730061-2-00	2	vite	screw	vis		
13	304449-4-20	1	eccentrico regol.completo	eccentric assembly	excentrique complet		
14	200678-0-10	1	coperchio	cover	couvercle		
15	304476-0-11	1	distanziale	spacer	entretoise		
16	304406-0-11	1	carter protezione	protection cover	carter protection		
17	704409-0-00	1	roncella	washer	rondelle		
18	721475-2-00	1	vite	screw	vis		
19	302349-0-10	2	vite per scodellino	screw for cup	vis pour cuvette		
20	302150-0-10	2	molla per scodellino	spring for cup	ressort pour cuvette		
21	302151-0-10	2	scodellino	cup	cuvette		
22	724908-2-00	1	vite	screw	vis		

DESCRIPTION

BENENNUNG

DESCRIPTION

DESCRIPTION

DESCRIPTION

Fig. No.	Part No.	Part No.	Part No.	Part No.
Fig. No.	Part No.	Part No.	Part No.	Part No.
Fig. No.	Part No.	Part No.	Part No.	Part No.
8	30481-0-00			
1	30482-0-00			
2	30442-0-11			
3	33004-0-00			
4	30830-0-00			
5	30483-0-00			
6	30484-0-00			
7	30413-0-10			
8	30413-0-00			
9	30413-0-10			
10	30485-0-00			
11	30217-0-00			
12	33001-0-00			
13	30449-4-20			
14	30078-0-10			
15	30418-0-11			
16	30408-0-11			
17	30408-0-00			
18	33478-0-00			
19	30328-0-10			
20				
21				
22				

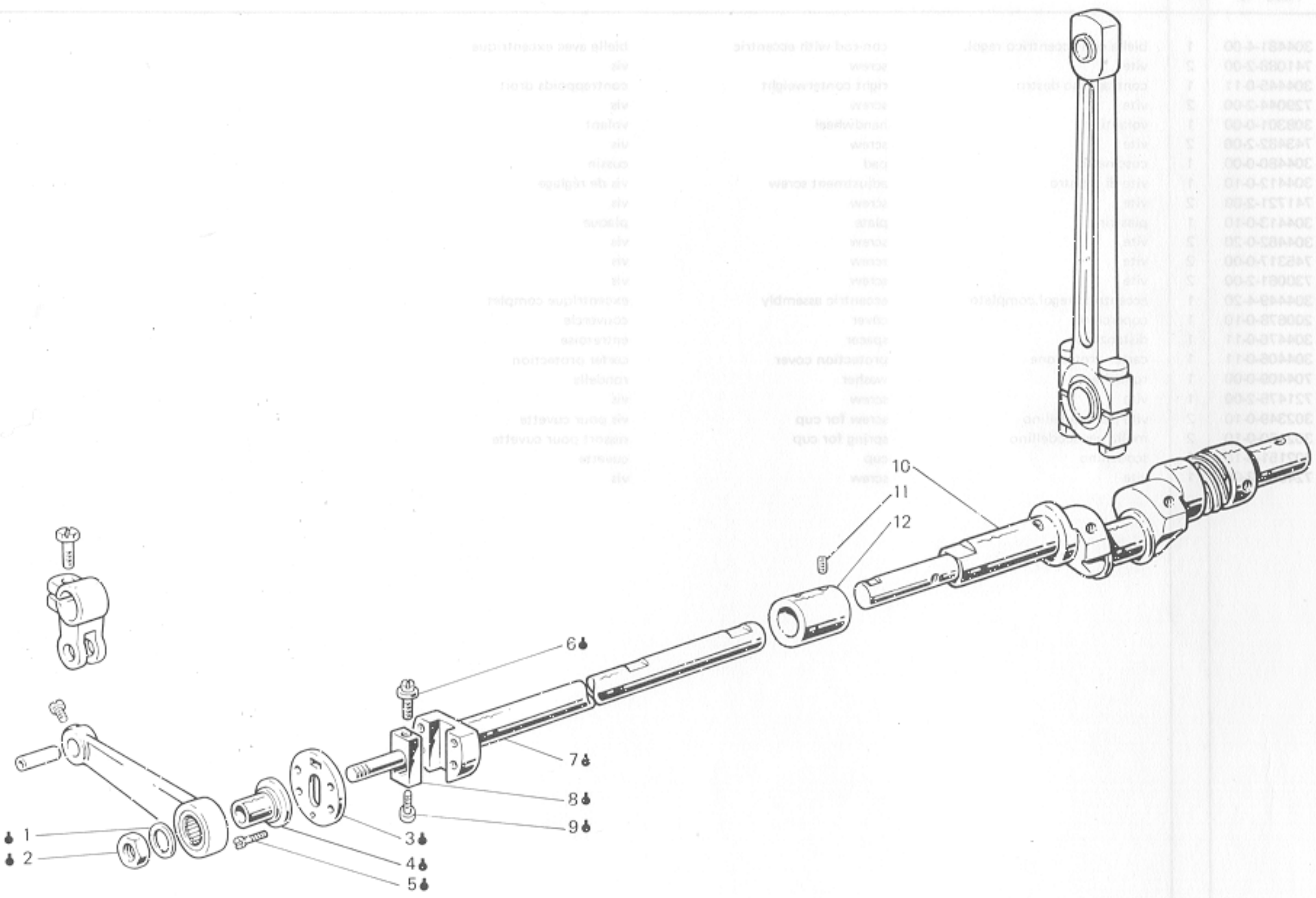


Fig. N. Abb. N.	Part. N. Piece N. Bestell N. Pieza N.	Qt. Anzahl	DESCRIZIONE	DESCRIPTION	DESCRIPTION	BENENNUNG	DESCRIPCION
—	309712-4-02	1	albero inferiore completo	lower shaft assembly	arbre inférieur complet		
⚙	308362-4-01	1	semialbero infer.completo	lower half-shaft assembly	semi-arbre inférieur complet		
1	704814-0-00	1	rondella	washer	rondelle		
2	746612-2-00	1	dado	nut	écrou		
3	308774-2-00	1	piastra disco	disc plate	plaque		
4	303458-0-12	1	bussola	bush	bague		
5	724441-0-00	4	vite	screw	vis		
6	308281-0-00	1	vite di registro	adjustment screw	vis de réglage		
7	308385-2-01	1	semialbero inf. sinistro	left lower half-shaft	semi-arbre inférieur gauche		
8	308278-0-01	1	perno	pin	pivot		
9	308780-2-00	1	vite di registro	adjustment screw	vis de réglage		
10	308715-3-02	1	semialbero inferiore destro	right lower half-shaft	semi-arbre inférieur droite		
11	745827-2-00	4	vite per manicotto	screw	vis		
12	308015-0-00	1	manicotto	coupling	manchon		

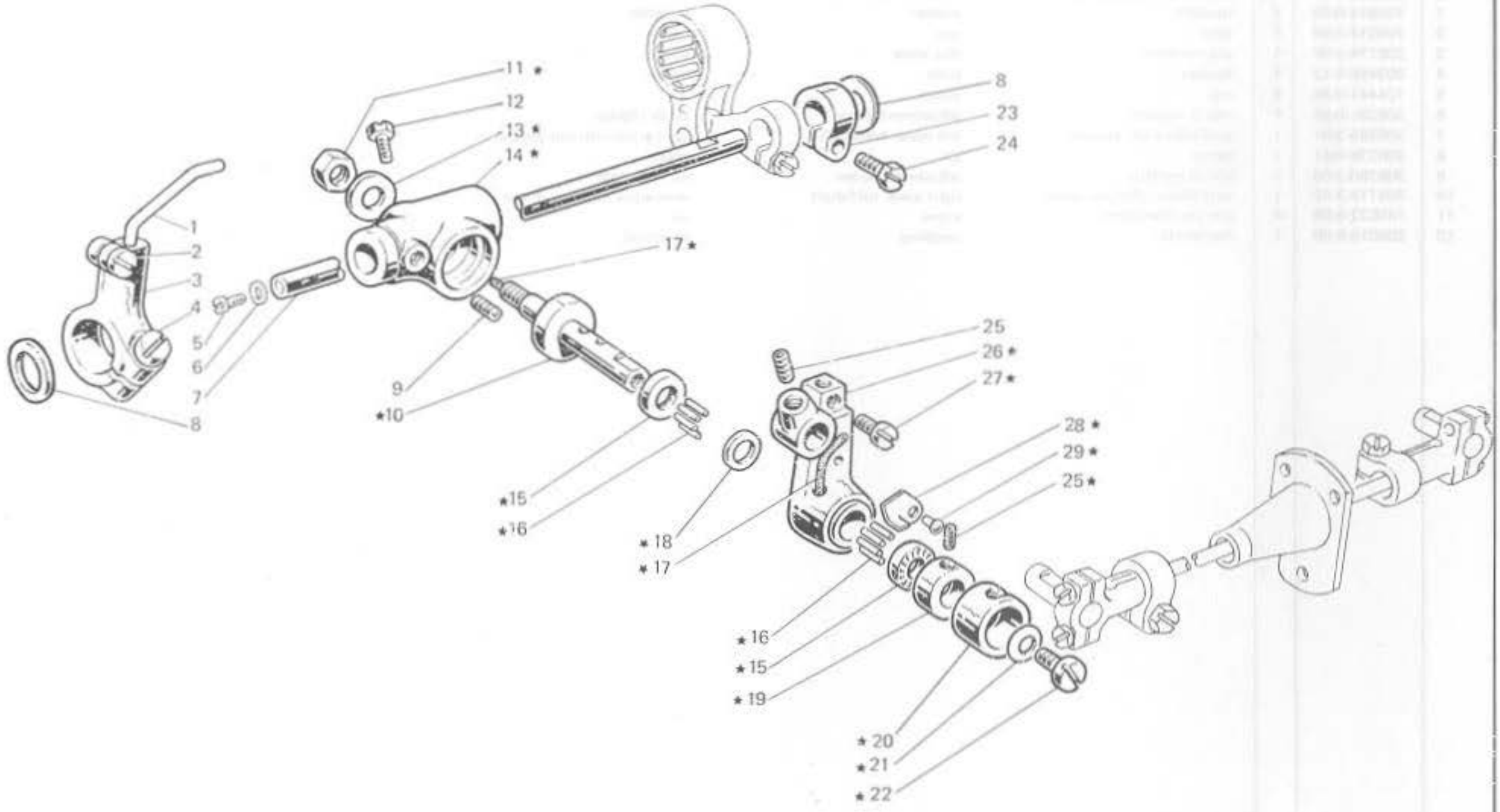
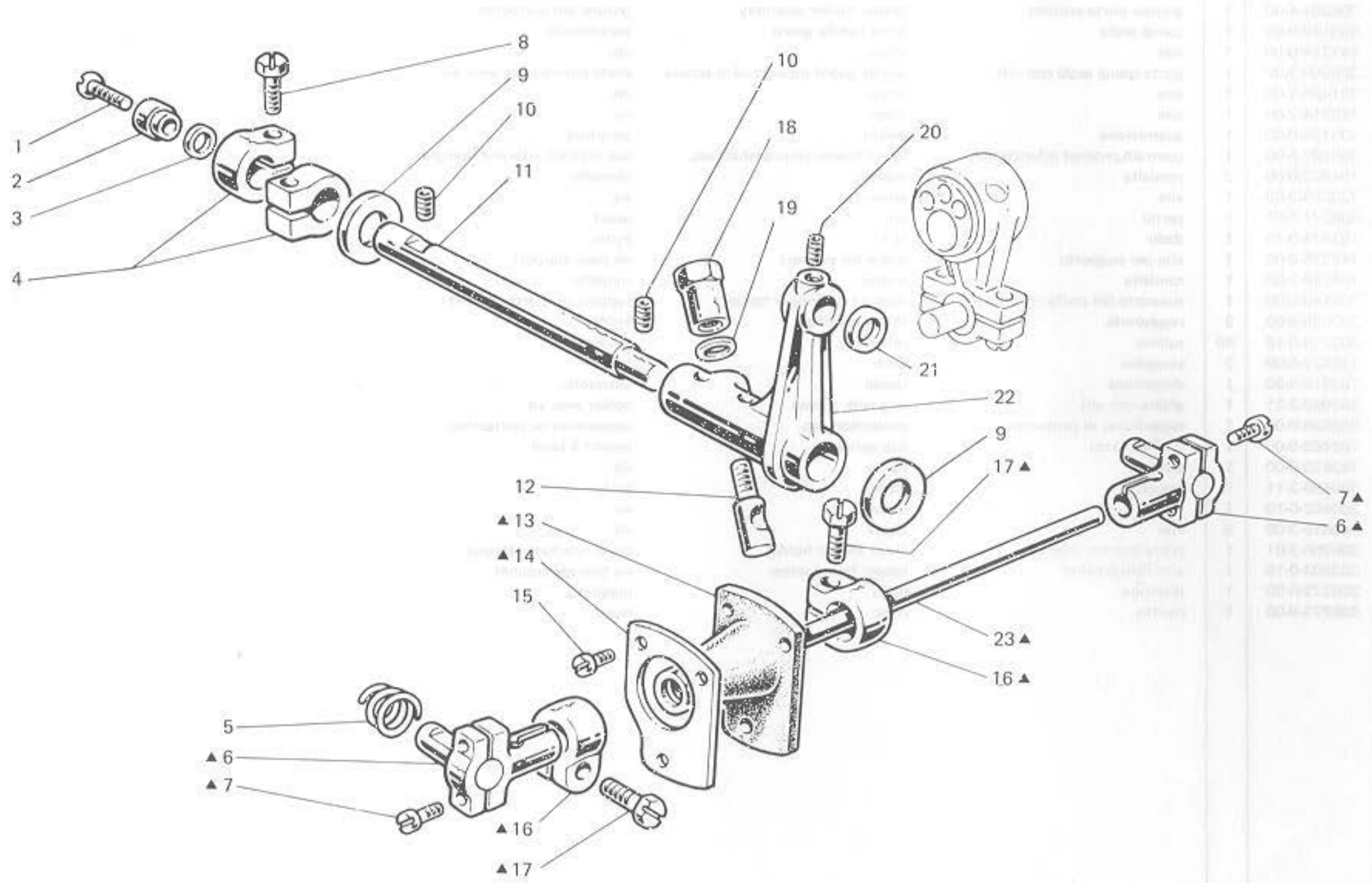


Fig. N. Abb. N.	Part. N. Piece N. Bestell N. Pieza N.	Qt. Anzahl	DESCRIZIONE	DESCRIPTION	DESCRIPTION	BENENNUNG	DESCRIPCION
★	308261-4-00	1	gruppo porta crochet	looper holder assembly	groupe porte-crochet		
1	308142-0-00	1	spingi asola	front needle guard	pare-boucle		
2	741724-0-00	1	vite	screw	vis		
3	308050-2-00	1	porta spingi asola con viti	needle guard support with screws	porte pare-boucle avec vis		
4	721485-2-00	1	vite	screw	vis		
5	742214-2-00	1	vite	screw	vis		
6	705734-0-00	1	guarnizione	gasket	garniture		
7	308292-4-00	1	contraib.crochet infer.compl.	lower looper countershaft ass.	axe crochet inférieur complet		
8	704846-0-00	2	rondella	washer	rondeile		
9	730033-2-00	1	vite	screw	vis		
10	308271-0-01	1	perno	pin	pivot		
11	202474-0-10	1	dado	nut	écrou		
12	740226-0-00	1	vite per supporto	screw for support	vis pour support		
13	704226-2-00	1	rondella	washer	rondeile		
14	308140-0-00	1	supporto del porta crochet	support for looper holder	support du porte crochet		
15	303539-0-00	2	reggispinta	thrust bearing	butée		
16	302276-0-10	40	rullino	roller	rouleau		
17	778827-0-00	2	stoppino	wick	mèche		
18	703810-0-00	1	distanziale	spacer	entretoise		
19	302052-2-21	1	ghiera con viti	ring with screws	collier avec vis		
20	303538-0-00	1	cappello di protezione	protection cap	capouchon de protection		
21	702403-0-00	1	molla a tazza	cup spring	ressort à tasse		
22	742423-0-00	1	vite	screw	vis		
23	300469-2-11	1	fascetta	clamp	bride		
24	300482-0-10	1	vite	screw	vis		
25	745815-2-00	3	vite	screw	vis		
26	308266-2-01	1	porta crochet inferiore	lower looper holder	porte crochet inférieur		
27	303503-0-10	1	vite fissa crochet	looper fixing screw	vis blocage crochet		
28	308272-0-00	1	piastrina	sheet	plaquette		
29	308273-0-00	1	rivetto	rivet	rivet		



QTY	DESCRIPTION	REF. NO.
1	SCREW	1
1	NUT	2
1	WASHER	3
1	BRACKET	4
1	SCREW	8
1	NUT	9
1	WASHER	10
1	BRACKET	11
1	SCREW	12
1	WASHER	13
1	WASHER	14
1	BRACKET	15
1	SPRING	16
1	SCREW	17
1	LEVER	18
1	PIN	19
1	NUT	20
1	CIRCULAR PART	21
1	BRACKET	22
1	SCREW	23
1	BRACKET	24
1	SCREW	25
1	NUT	26
1	WASHER	27
1	BRACKET	28
1	SCREW	29
1	NUT	30
1	WASHER	31
1	BRACKET	32
1	SCREW	33
1	NUT	34
1	WASHER	35
1	BRACKET	36
1	SCREW	37
1	NUT	38
1	WASHER	39
1	BRACKET	40
1	SCREW	41
1	NUT	42
1	WASHER	43
1	BRACKET	44
1	SCREW	45
1	NUT	46
1	WASHER	47
1	BRACKET	48
1	SCREW	49
1	NUT	50
1	WASHER	51
1	BRACKET	52
1	SCREW	53
1	NUT	54
1	WASHER	55
1	BRACKET	56
1	SCREW	57
1	NUT	58
1	WASHER	59
1	BRACKET	60
1	SCREW	61
1	NUT	62
1	WASHER	63
1	BRACKET	64
1	SCREW	65
1	NUT	66
1	WASHER	67
1	BRACKET	68
1	SCREW	69
1	NUT	70
1	WASHER	71
1	BRACKET	72
1	SCREW	73
1	NUT	74
1	WASHER	75
1	BRACKET	76
1	SCREW	77
1	NUT	78
1	WASHER	79
1	BRACKET	80
1	SCREW	81
1	NUT	82
1	WASHER	83
1	BRACKET	84
1	SCREW	85
1	NUT	86
1	WASHER	87
1	BRACKET	88
1	SCREW	89
1	NUT	90
1	WASHER	91
1	BRACKET	92
1	SCREW	93
1	NUT	94
1	WASHER	95
1	BRACKET	96
1	SCREW	97
1	NUT	98
1	WASHER	99
1	BRACKET	100

Fig. N. Abb. N.	Part. N. Piece N. Bestell N. Pieza N.	Qt. Anzahl	DESCRIZIONE	DESCRIPTION	DESCRIPTION	BENENNUNG	DESCRIPCION
▲	308332-4-00	1	gruppo comando crochet inf.	lower looper control assembly	groupe com. crochet inférieur		
1	744676-2-00	1	vite	screw	vis		
2	308047-0-00	1	scodellino	cup	cuvette		
3	701009-0-00	1	anello di tenuta	oil ring	bague d'étanchéité		
4	308046-2-01	2	fascetta	clamp	bride		
5	302289-0-10	1	molla	spring	ressort		
6	308325-3-00	2	testa di biella con viti	con-rod big end with screws	tête de bielle avec vis		
7	744040-2-00	4	vite	screw	vis		
8	300482-0-10	2	vite	screw	vis		
9	704849-0-00	2	rondella	washer	rondelle		
10	729434-2-00	2	vite fissa perno	screw	vis		
11	308044-0-00	1	perno per supporto	pin	pivot		
12	300352-0-10	1	spina filettata	pin	goupille		
13	308330-3-00	1	manicotte para olio	oil protection	manchon pare-huile		
14	308327-0-00	1	mascherina per manicotto	flange	flasque		
15	741675-2-00	2	vite	screw	vis		
16	308326-2-01	2	fascetta per biella con vite	clamp with screw	bride avec vis		
17	305194-0-00	2	vite	screw	vis		
18	300351-0-11	1	dado	nut	écrou		
19	704309-4-00	1	rondella	washer	rondelle		
20	745815-2-00	1	vite	screw	vis		
21	705834-0-00	1	rondella in fibra	washer	rondelle		
22	308045-0-01	1	supporto oscillante	support coulissant			
23	308333-0-01	1	tirante per biella	tie-rod	tirant pour bielle		

Fig. N. Abb. N.	Part. N. Piece N. Bestell N. Pieza N.	Qt. Anzahl	DESCRIZIONE	DESCRIPTION	DESCRIPTION	BENENNUNG	DESCRIPCION
★	308614-3-10	1	base e braccio con bussole	base and arm with bushes	base et bras avec bague		
1	706454-0-00	2	spina	pin	goupille		
2	308859-2-00	1	supporto con bussola fig. 9	support with bush fig. 9	support avec bague fig. 9		
3	721485-2-00	4	vite	screw	vis		
4	307664-0-00	1	bussola	bush	bague		
5	706285-0-00	1	spina	pin	goupille		
6	202398-0-10	1	tappo	plug	bouchon		
7	308032-0-00	1	bussola	bush	bague		
8	308215-0-00	1	protezione olio	oil protection	protection huile		
9	308858-0-00	1	bussola	bush	bague		
10	308051-0-01	1	bussola	bush	bague		
11	308218-0-00	1	scodellino inferiore	lower cup	cuvette inférieur		
12	308296-0-00	2	bussola	bush	bague		
13	308293-0-01	1	bussola	bush	bague		
14	308297-0-00	1	bussola	bush	bague		
15	721444-2-00	1	vite	screw	vis		
16	308138-0-11	1	carter paraolio	oil retainer cover	carter pare-huile		
17	308074-0-00	1	bussola	bush	bague		
18	308031-0-00	1	bussola	bush	bague		
19	307739-0-00	1	bussola	bush	bague		
20	303501-0-10	1	tappo per foro tendifilo	plug	bouchon		
21	308852-0-00	1	bussola	bush	bague		
22	308232-0-00	1	bussola	bush	bague		
23	729032-2-00	1	vite	screw	vis		
24	308086-0-10	1	bussola	bush	bague		
25	308069-0-00	1	bussola	bush	bague		
26	308298-0-00	1	bussola	bush	bague		
27	302356-0-10	1	tappo	plug	bouchon		
28	308853-0-00	2	bussola	bush	bague		

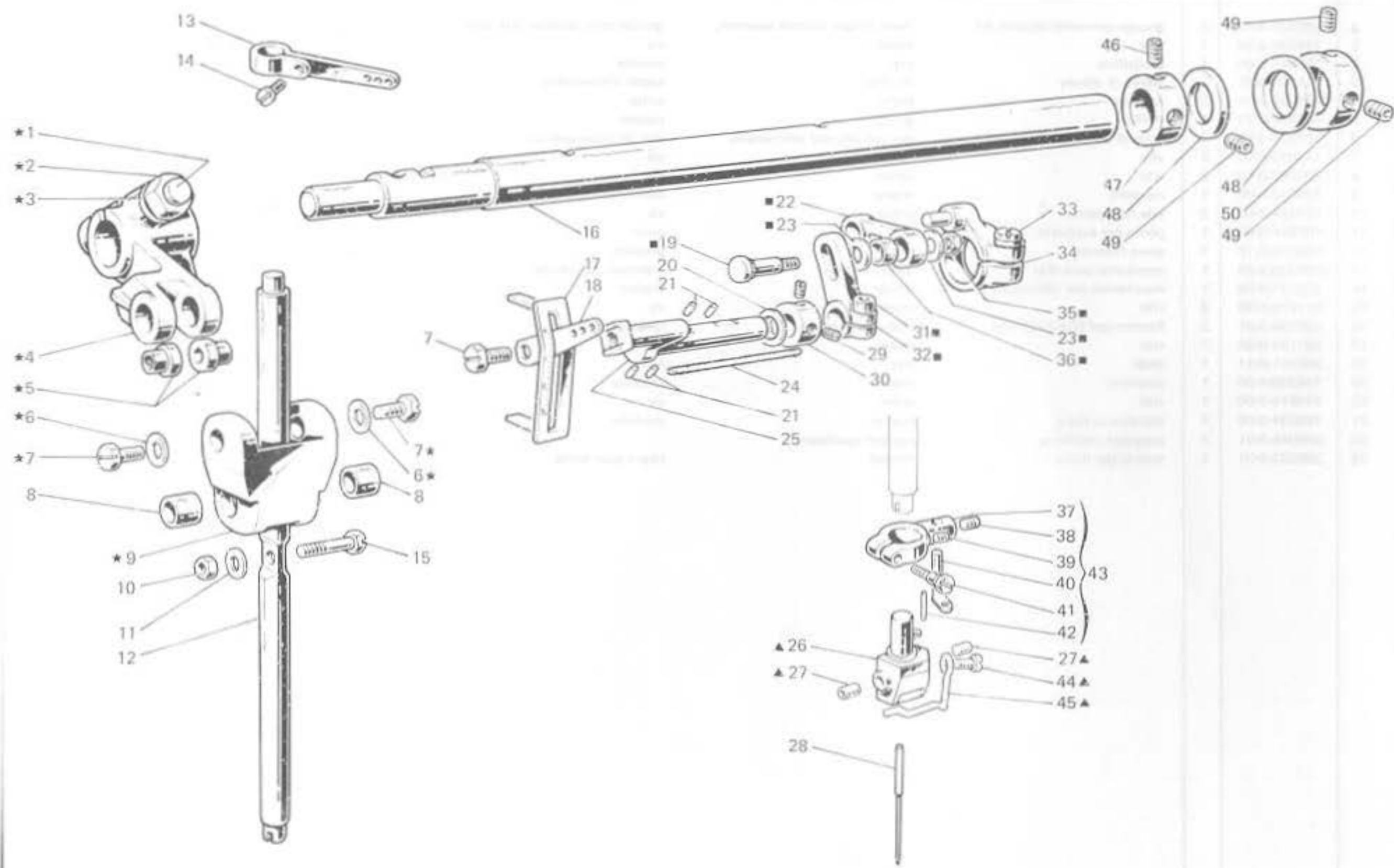


Fig. N. Abb.	Part. N. Bestell. N. Piece N. Pieza N.	Qt. Anzahl	DESCRIZIONE	DESCRIPTION	DESCRIPTION	BENENNUNG	DESCRIPCION
★	308006-4-00	1	gruppo manov.giunto barra ago	crank and joint assembly	groupe maniv.joint barre-aiguille		
▲	309803-4-00	1	morsetto porta aghi completo	needles clamp assembly	porte-aiguille complet		
■	308244-4-00	1	gruppo sett.tendit.articolato	sector assembly	groupe secteur		
1	308855-0-00	1	perno a vite	threaded pin	pivot à vis		
2	745408-2-00	1	dado	nut	écrou		
3	705013-0-00	1	rondella	washer	rondelle		
4	308036-2-00	1	manovella completa	crank assembly	groupe bras manivelle		
5	308037-0-00	2	perno superiore	upper pin	pivot supérieur		
6	704210-4-00	2	rondella	washer	rondelle		
7	308039-0-01	3	vite	screw	vis		
8	308041-0-00	2	bussola inferiore	lower bush	bague inférieure		
9	308038-0-10	1	giunto barra ago	needle bar joint	joint barre-aiguille		
10	302338-0-10	1	dado	nut	écrou		
11	703005-0-00	1	rondella	washer	rondelle		
12	308220-0-00	1	barra ago	needle bar	barre aiguille		
13	308139-2-01	1	tendifilo superiore	upper thread take-up	tendeur supérieur		
14	742311-2-00	1	vite	screw	vis		
15	308042-0-00	1	perno per barra ago	pin for needle bar	pivot pour barre-aiguille		
16	308851-2-01	1	albero superiore	upper shaft	arbre supérieur		
17	308005-0-09	1	targhetta	plate	plaque		
18	308239-0-00	1	tendifilo inferiore	lower thread guide	tendeur du fil inférieur		
19	308235-0-00	1	perno	pin	pivot		
20	704828-0-00	1	rondella	washer	rondelle		
21	778203-0-00	4	stoppino	wick	mèche		
22	206583-0-00	1	biellino	con-rod	petite bielle		
23	705208-0-00	2	rondella	washer	rondelle		
24	778407-0-00	1	stoppino	wick	mèche		
25	308238-4-00	1	braccio con stoppini	arm with wicks	arbre avec mèches		
26	309750-2-00	1	morsetto porta aghi	needles clamp	porte-aiguilles		
27	745810-2-00	2	vite	screw	vis		
28	766000-6-80	2	ago sist.Rim 63 fin.80	needle syst.Rim 63 size 80	aiguille syst.Rim 63 jauge 80		
29	745812-2-00	2	vite	screw	vis		
30	303899-0-10	1	anello	ring	anneau		
31	722422-2-00	1	vite	screw	vis		
32	308234-2-00	1	settore con vite	sector with screw	secteur avec vis		
33	744334-2-00	1	vite	screw	vis		
34	308236-2-01	1	braccio con vite	arm with screw	bras avec vis		
35	746008-0-00	1	dado	nut	écrou		
36	202032-0-11	1	bussolina	bush	bague		
37	302261-0-10	1	fascetta per barra ago	clamp for needle bar	bride pour barre-aiguille		
38	745800-2-00	1	vite	screw	vis		
39	745001-0-00	1	vite	screw	vis		
40	300348-0-10	1	guidafilo	thread guide	guide-fil		
41	302352-0-10	1	vite	screw	vis		
42	302292-0-10	1	spinetta	pin	pivot		
43	302260-4-11	1	fascetta completa	clamp assembly	bride complète		
44	741611-2-00	1	vite	screw	vis		
45	309771-0-00	1	passafilo	thread guide	passe-fil		
46	730033-2-00	1	vite	screw	vis		

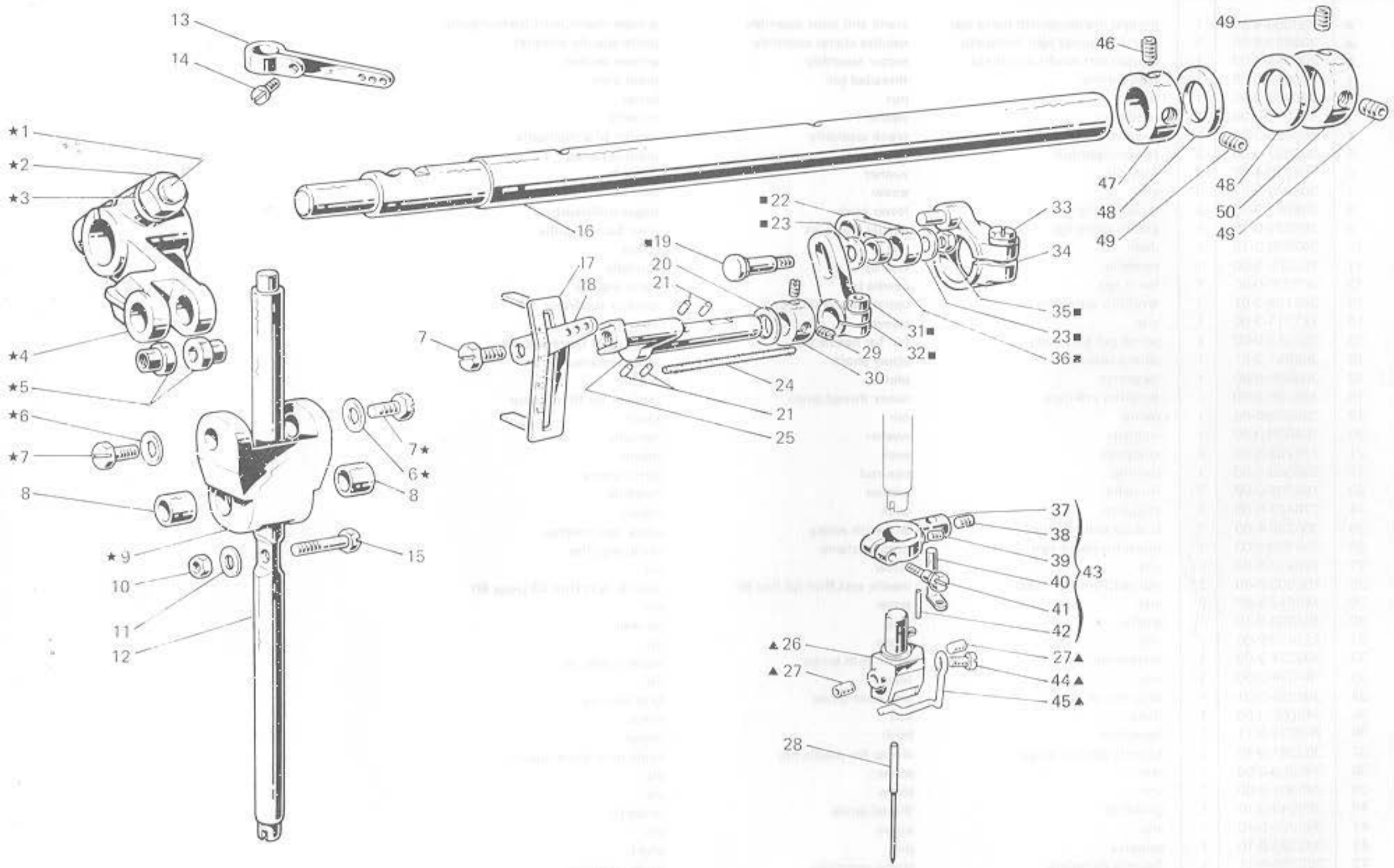
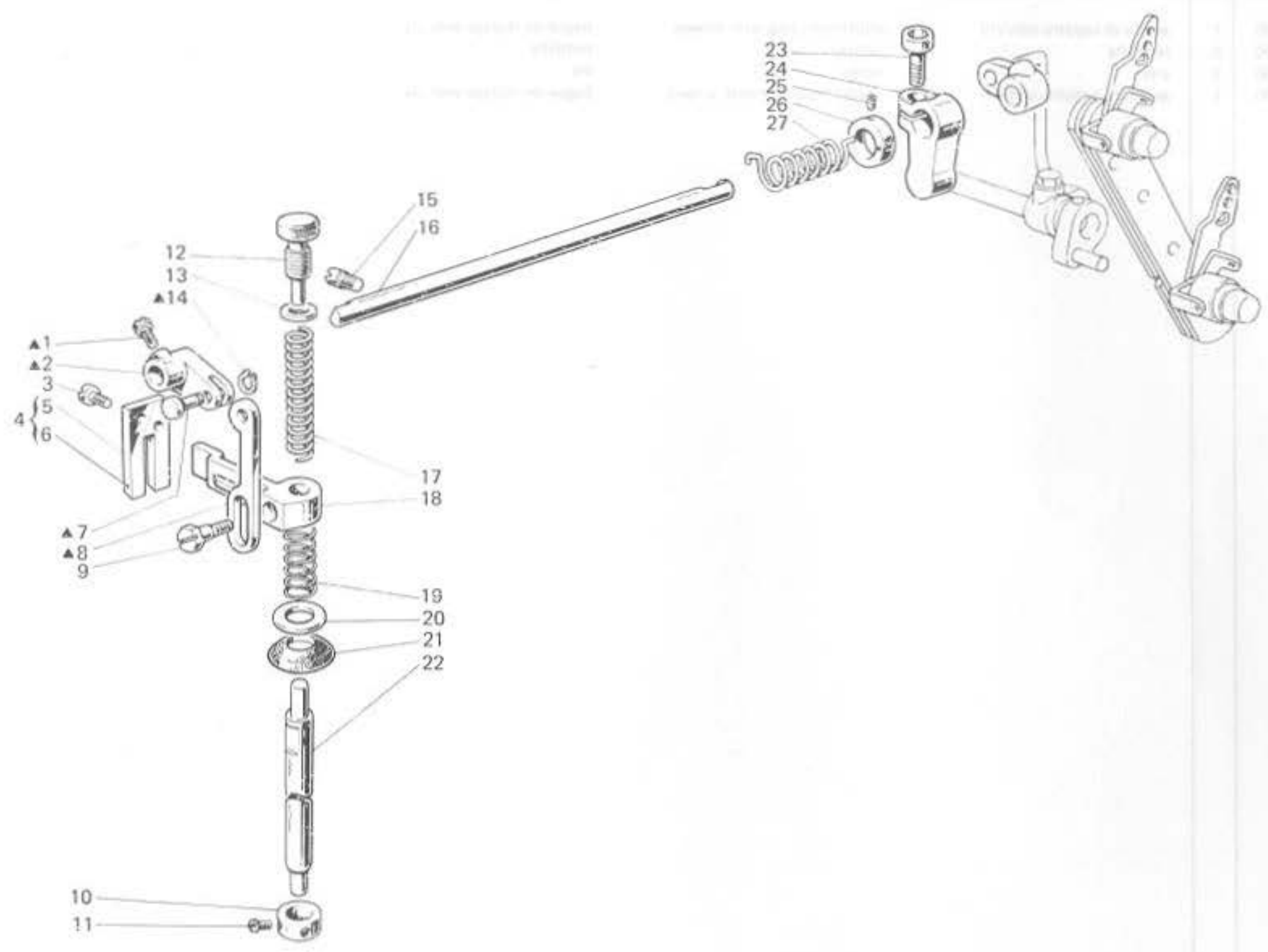
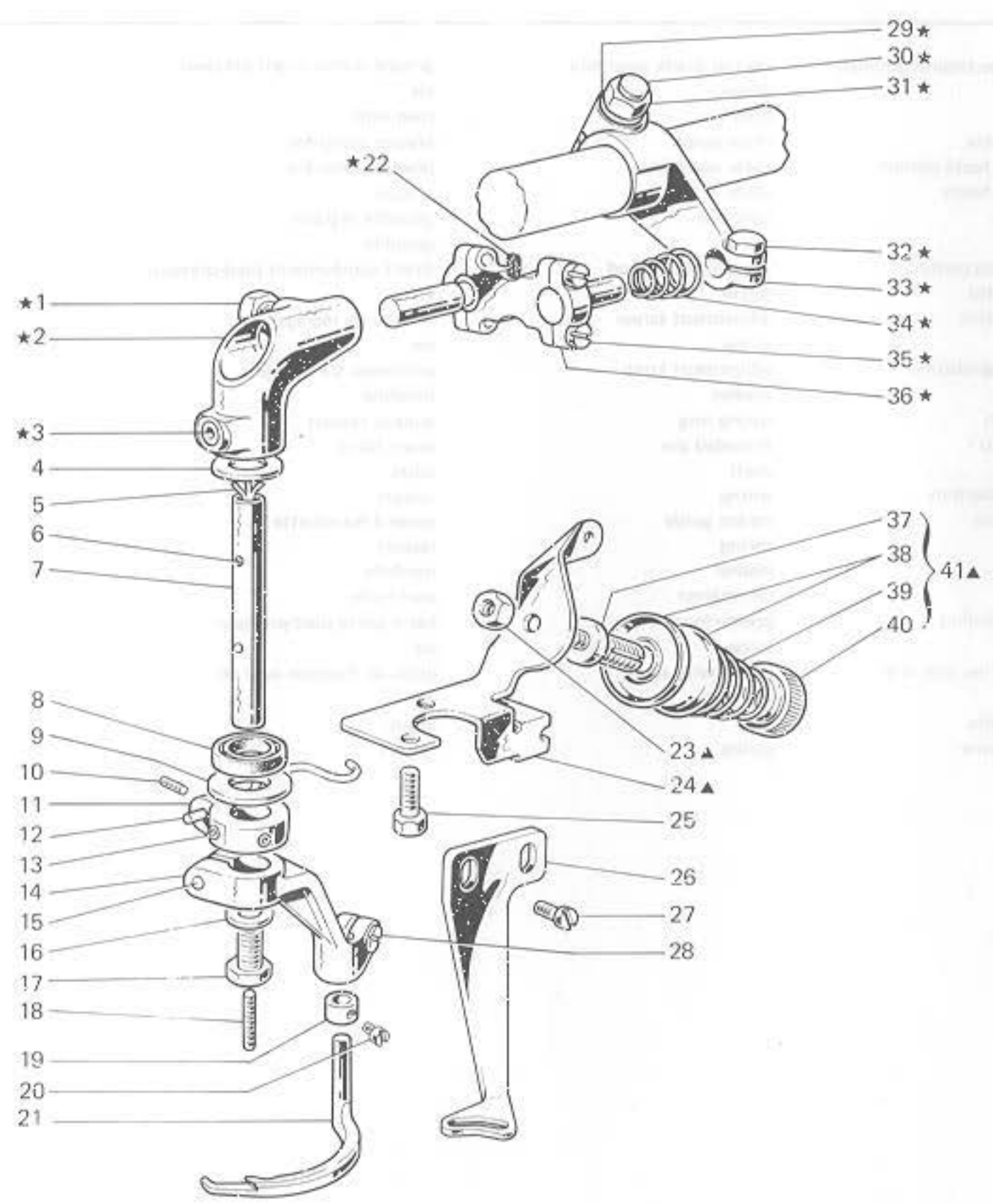


Fig. N. Abb. N.	Part. N. Bestell N. Piece N. Pieza N.	Qt. Anzahl	DESCRIZIONE	DESCRIPTION	DESCRIPTION	BENENNUNG	DESCRIPCION
47	309831-2-09	1	anello di registro con viti	adjustment ring with screws	bague de réglage avec vis		
48	704869-0-00	2	rondella	washer	rondelle		
49	729013-2-00	3	vite	screw	vis		
50	309830-2-00	1	anello di registro con viti	adjustment ring with screws	bague de réglage avec vis		



QTY	DESCRIPTION	REF. NO.
1	SOLE PLATE	1
1	SOLE PLATE	2
1	SOLE PLATE	3

Fig. N. Abb. N.	Part. N. Piece N. Bestell N. Pieze N.	Qt. Anzahl	DESCRIZIONE	DESCRIPTION	DESCRIPTION	BENENNUNG	DESCRIPCION
▲	308060-4-00	1	gruppo manov.tirante premist.	presser crank assembly	groupe maniv.tirant presseur		
1	740632-2-00	1	vite	screw	vis		
2	308059-0-00	1	manovella	crank	manivelle		
3	721494-2-00	2	vite fissa piastra	plate screw	plaque complète		
4	308052-4-00	1	piastra guida barra compl.	plate assembly	plaque complète		
5	308056-0-01	1	piastra guida barra	plate	plaque		
6	707240-0-00	1	spina elastica	split pin	goupille réglable		
7	308058-0-00	1	spina	pin	goupille		
8	308057-0-00	1	tirante per alza piedino	presserfoot tie-rod	tirant soulèvement pied-presseur		
9	740444-2-00	1	spina fissa slitta	screw	vis		
10	308076-2-01	1	anello di registro	adjustment screw	anneau de réglage		
11	741912-2-00	2	vite	screw	vis		
12	302060-0-11	1	pomoio di regolazione	adjustment knob	pommeau de réglage		
13	302344-0-10	1	rondella	washer	rondelle		
14	700205-0-00	1	anello elastico	spring ring	anneau ressort		
15	308007-0-00	1	perno filettato	threaded pin	pivot fileté		
16	302234-0-10	1	albero	shaft	arbre		
17	302059-0-10	1	molla premi piedino	spring	ressort		
18	308055-2-00	1	guida a forcella	forket guide	guide à fourchette		
19	308148-0-00	1	molla	spring	ressort		
20	704236-2-00	1	rondella	washer	rondelle		
21	308054-0-01	1	paraolio	oil retainer	pere-huile		
22	308061-0-01	1	barra porta piedino	presserfoot bar	barre porte pied-presseur		
23	744332-2-00	1	vite	screw	vis		
24	308412-2-02	1	fascetta di fermo con vite	clamp with screw	bride de fixation avec vis		
25	745827-2-00	2	vite	screw	vis		
26	304767-2-10	1	anello per molla	ring	bague		
27	308098-0-00	1	molla di torsione	spring	ressort		



QTY	DESCRIPTION	REF. NO.	QTY
1	SOLENOID COIL	29★	1
1	SOLENOID COIL	30★	1
1	SOLENOID COIL	31★	1
1	SOLENOID COIL	32★	1
1	SOLENOID COIL	33★	1
1	SOLENOID COIL	34★	1
1	SOLENOID COIL	35★	1
1	SOLENOID COIL	36★	1
1	SOLENOID COIL	37	1
1	SOLENOID COIL	38	1
1	SOLENOID COIL	39	1
1	SOLENOID COIL	40	1
1	SOLENOID COIL	41▲	1

Fig. N. Abb. N.	Part. N. Piece N. Bestell N. Pieza N.	Qt. Anzahl	DESCRIZIONE	DESCRIPTION	DESCRIPTION	BENENNUNG	DESCRIPCION
★	308079-4-10	1	gruppo crochet copertura	top covering looper assembly	groupe crochet de couverture		
▲	308867-4-00	1	gruppo tensione copertura	tension assembly	groupe tension		
1	740226-0-00	1	vite	screw	vis		
2	308072-2-10	1	raccordo	pipe connection	raccord		
3	730033-2-00	1	vite	screw	vis		
4	704834-0-00	1	rondella	washer	rondelle		
5	778502-0-00	1	stoppino	wick	mèche		
6	778204-0-00	4	stoppino	wick	mèche		
7	308081-4-01	1	perno verticale con stopp.	pin	pivot		
8	308075-0-00	1	anello di tenuta	retainer ring	bague d'étanchéité		
9	704835-0-00	1	rondella	washer	rondelle		
10	745800-2-00	1	vite	screw	vis		
11	308868-2-00	1	anello porta astina	ring	anneau		
12	308869-0-00	1	astina tendifilo	rod	tige		
13	745812-2-00	2	vite	screw	vis		
14	308077-2-00	1	porta crochet	looper holder	porte crochet		
15	721494-2-00	1	vite	screw	vis		
16	704309-4-00	1	rondella	washer	rondelle		
17	308078-0-00	1	vite registro	screw	vis		
18	729051-2-00	1	vite	screw	vis		
19	308082-2-00	1	anello	ring	anneau		
20	741413-2-00	1	vite	screw	vis		
21	308080-0-00	1	crochet di copertura	covering looper	crochet couverture		
22	778707-0-00	1	stoppino	wick	mèche		
23	746007-2-00	1	dado	nut	écrou		
24	308866-2-00	1	piastra con passafilo	plate with thread guide	plaque avec passe-fil		
25	740236-0-00	2	vite	screw	vis		
26	308751-0-00	1	passafilo a camma	thread guide	passe fil		
27	741658-2-00	2	vite	screw	vis		
28	741724-0-00	1	vite	screw	vis		
29	705013-0-00	1	rondella	washer	rondelle		
30	308855-0-00	1	perno a vite	threaded pin	pivot à vis		
31	746408-2-00	1	dado	nut	écrou		
32	302347-0-10	1	vite	screw	vis		
33	308065-2-00	1	manovella con rondella e viti	crank shaft	manivelle arbre		
34	308269-0-00	1	molla	spring	ressort		
35	308067-0-00	4	vite	screw	vis		
36	308071-3-01	1	gruppo manovella	crank assembly	groupe manivelle		
37	308862-0-00	1	perno a vite	threaded pin	pivot à vis		
38	308863-0-00	2	disco tensione	tension disc	disque tension		
39	308860-0-00	1	molla	spring	ressort		
40	308861-0-00	1	pomelo	knob	pommeau		
41	308864-4-00	1	gruppo tensione	tension assembly	groupe tension		

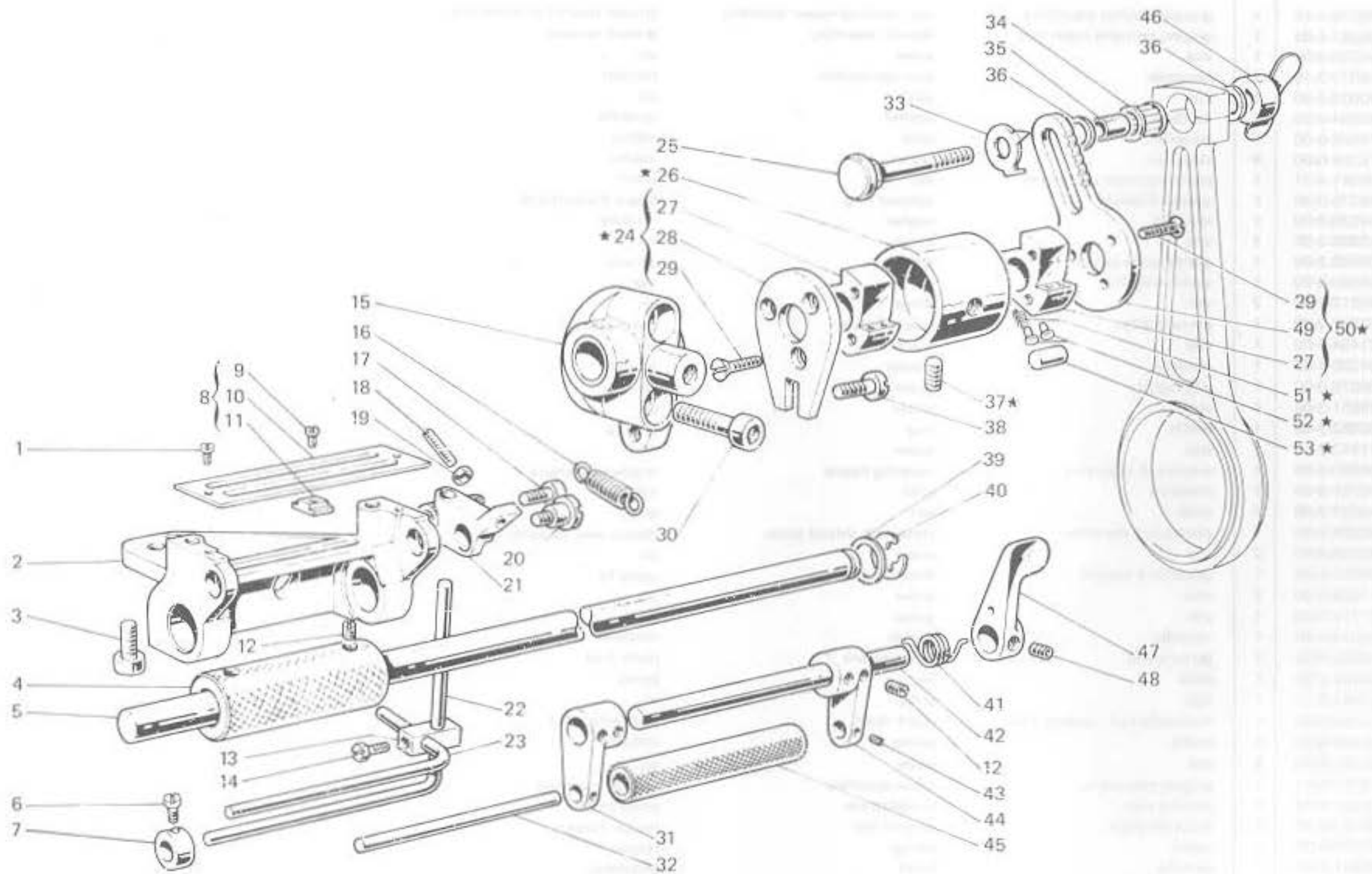
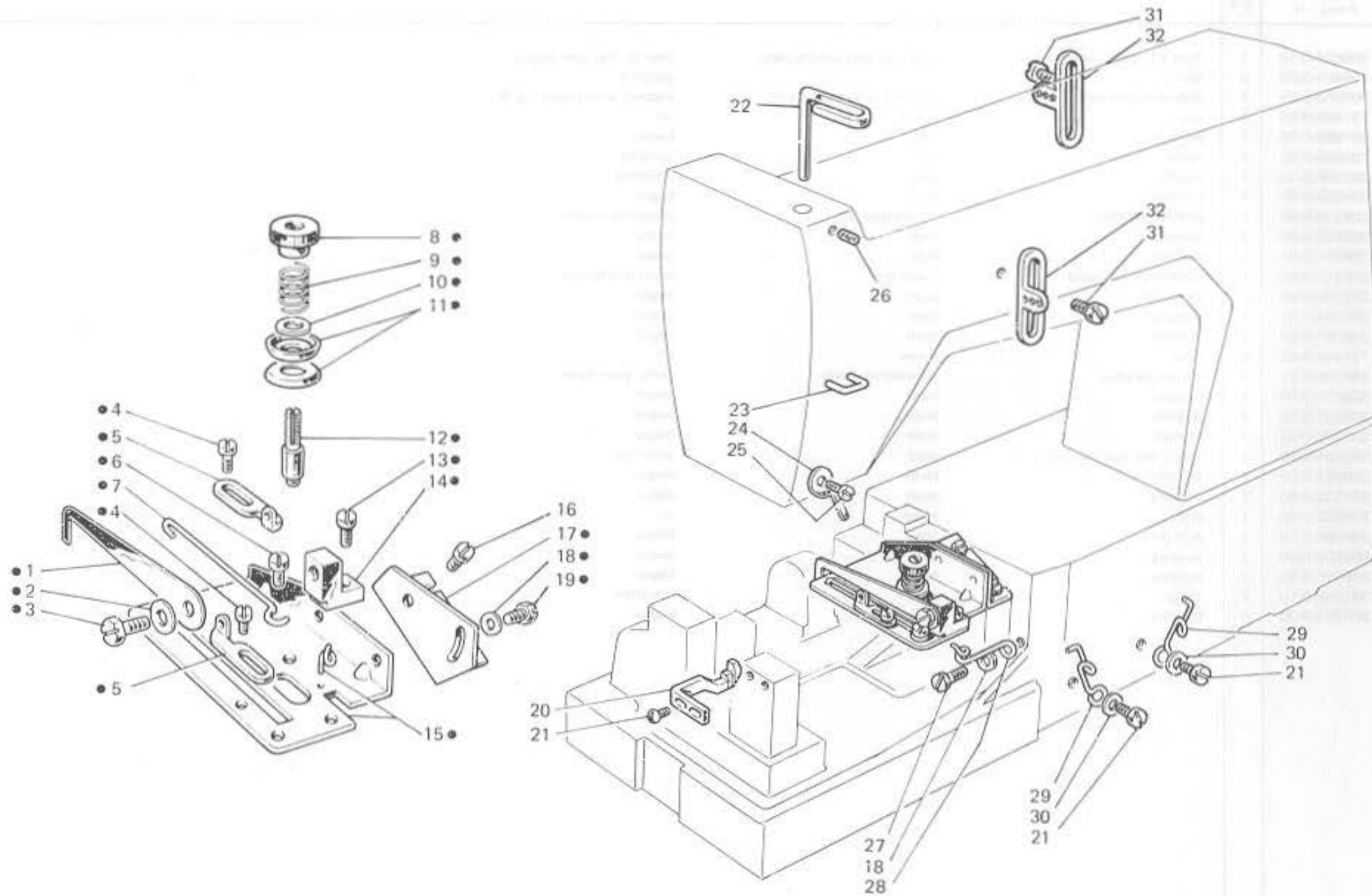


Fig. N. Abb. N.	Part. N. Bestell N. Piece N. Pieza N.	Qt. Anzahl	DESCRIZIONE	DESCRIPTION	DESCRIPTION	BENENNUNG	DESCRIPTION
★	304431-4-11	1	frizione completa	clutch assembly	friction complète		
1	721412-2-00	2	vite	screw	vis		
2	304467-4-20	1	supporto frizione con bussole e stoppini	clutch support with bushes and wicks	support friction avec bagues et mèches		
3	722433-2-00	2	vite	screw	vis		
4	304468-2-20	1	rullo con viti	roller	rouleau		
5	304469-0-11	1	albero	shaft	arbre		
6	742811-0-00	4	vite	screw	vis		
7	304458-0-10	4	anello	ring	anneau		
8	304473-4-10	1	piastrina completa	plate assembly	plaque complète		
9	741403-0-00	4	vite	screw	vis		
10	304472-0-10	1	piastrina	plate	plaque		
11	203949-0-10	4	cursore	slider	curseur		
12	727014-2-00	6	vite	screw	vis		
13	304460-0-10	1	blocchetto	block	bloc		
14	740220-2-00	2	vite	screw	vis		
15	304423-4-21	1	supporto con spina e fig.38	support with pin and fig.38	support avec pivot et fig.38		
16	304457-0-10	1	molla	spring	ressort		
17	722411-2-00	1	vite	screw	vis		
18	727082-0-00	1	vite	screw	vis		
19	746002-2-00	1	dado	nut	écrou		
20	304463-0-10	1	vite	screw	vis		
21	304453-2-10	1	attacco e spina	coupling and pin	raccord et goupille		
22	304456-0-11	1	asta	rod	tige		
23	304459-0-10	1	asta	rod	tige		
24	304432-4-10	1	settore con flangia destra	sector with right flange	secteur avec flasque droit		
25	304086-0-10	1	perno	pin	pivot		
26	304430-0-10	1	corpo frizione	clutch case	crops friction		
27	301523-0-10	2	settore	sector	secteur		
28	203928-0-10	1	flangia	flange	flasque		
29	724471-0-00	6	vite	screw	vis		
30	722483-2-00	2	vite	screw	vis		
31	304438-0-10	1	spalla sinistra	left support	support gauche		
32	304474-0-10	1	perno	pin	pivot		
33	304073-0-10	1	indice	index	indice		
34	201358-0-10	1	gabbia a rulli	needles cage	cage à aiguilles		
35	304436-0-10	1	anello	ring	anneau		
36	704216-2-00	2	rondella	washer	rondelle		
37	729043-2-00	2	vite	screw	vis		
38	744553-0-00	1	vite	screw	vis		
39	704841-0-00	1	rondella	washer	rondelle		
40	700212-0-00	1	anello elastico	spring ring	anneau ressort		
41	304441-0-10	1	molla	spring	ressort		
42	304475-0-10	1	asta	rod	tige		
43	745002-0-00	2	vite	screw	vis		
44	304437-0-10	1	spalla destra	right support	support droit		
45	304471-2-10	1	rullo	roller	rouleau		
46	200413-2-10	1	pomolo con alette	knob with flyer	pommeau avec ailette		
47	304424-0-10	1	leva	lever	levier		



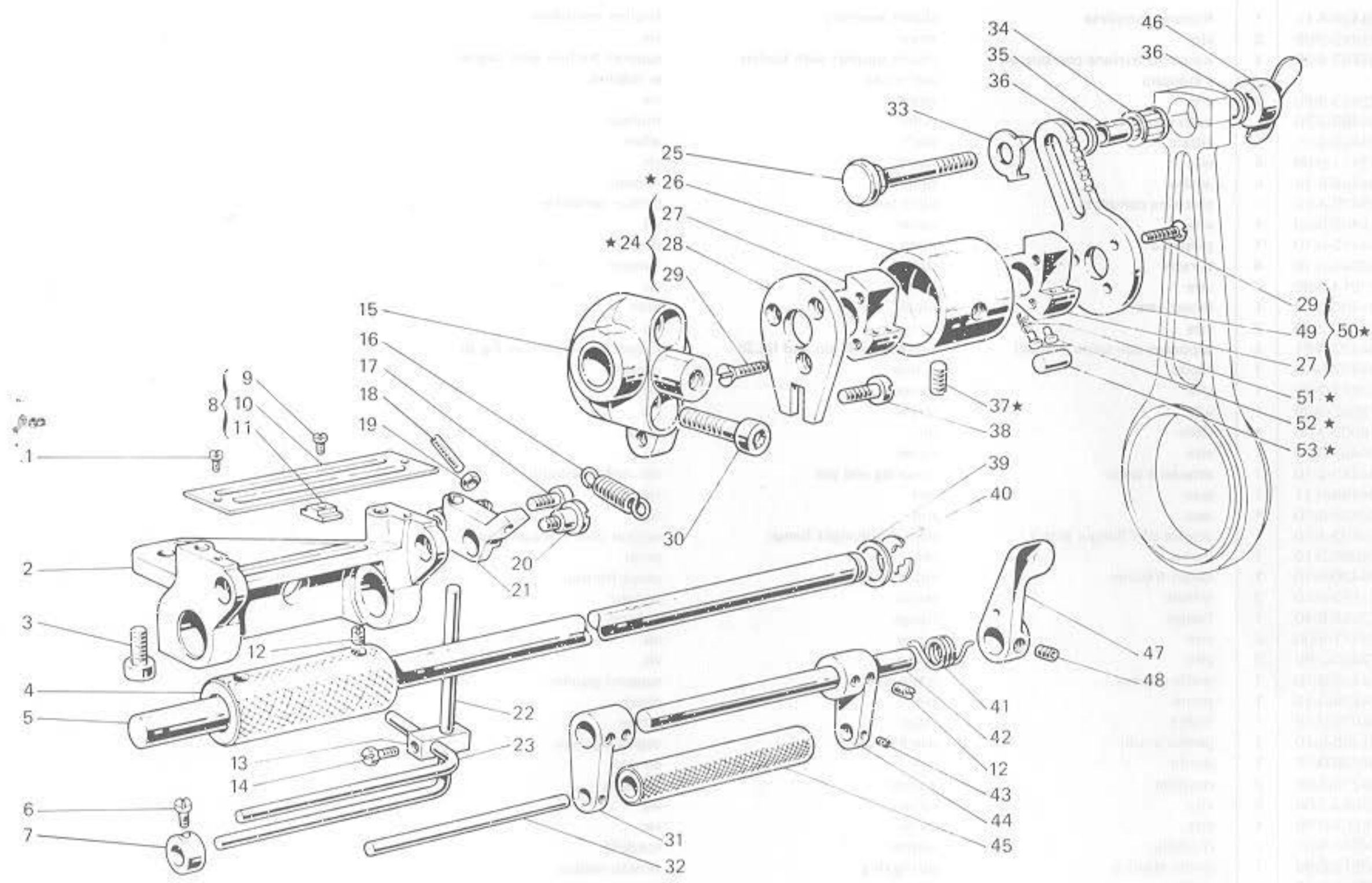
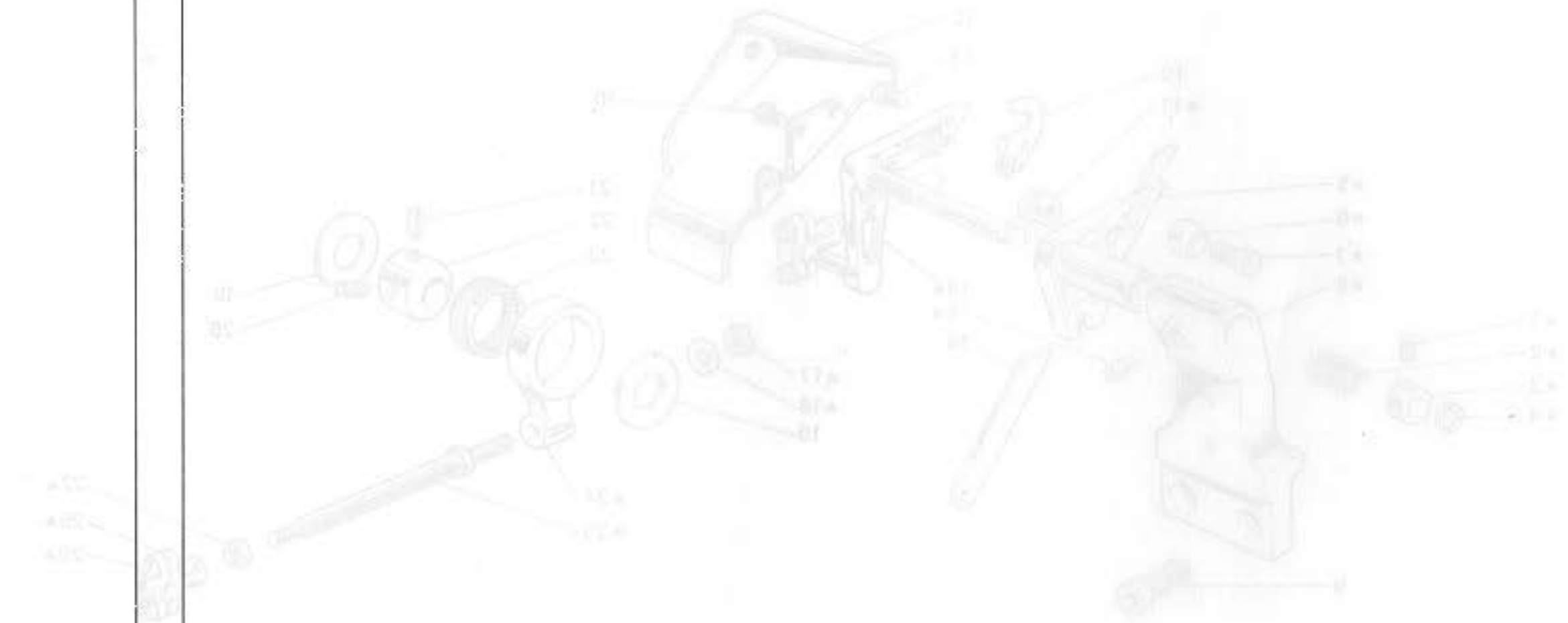


Fig. N. Abb. N.	Part. N. Bestell N. Piece N. Pieza N.	Qt. Anzahl	DESCRIZIONE	DESCRIPTION	DESCRIPTION	BENENNUNG	DESCRIPCION
48	745812-2-00	2	vite	screw	vis		
49	304084-0-10	1	flangia	flange	flasque		
50	304085-4-10	1	settore con flangia sinistra	sector with left flange	secteur avec flasque gauche		
51	304477-0-01	12	molla	spring	ressort		
52	304478-0-00	12	pernetto	pin	pivot		
53	301527-0-10	6	rullino	roller	rouleau		



DESCRIZIONE	QUANTITÀ	MATERIALE	RIFERIMENTO	NOTAZIONI	CANT.	MATERIALE	CANT.
1	1	VITE	1	VITE	1	VITE	1
2	1	VITE	2	VITE	2	VITE	2
3	1	VITE	3	VITE	3	VITE	3
4	1	VITE	4	VITE	4	VITE	4
5	1	VITE	5	VITE	5	VITE	5
6	1	VITE	6	VITE	6	VITE	6
7	1	VITE	7	VITE	7	VITE	7
8	1	VITE	8	VITE	8	VITE	8
9	1	VITE	9	VITE	9	VITE	9
10	1	VITE	10	VITE	10	VITE	10
11	1	VITE	11	VITE	11	VITE	11
12	1	VITE	12	VITE	12	VITE	12
13	1	VITE	13	VITE	13	VITE	13
14	1	VITE	14	VITE	14	VITE	14
15	1	VITE	15	VITE	15	VITE	15
16	1	VITE	16	VITE	16	VITE	16
17	1	VITE	17	VITE	17	VITE	17
18	1	VITE	18	VITE	18	VITE	18
19	1	VITE	19	VITE	19	VITE	19
20	1	VITE	20	VITE	20	VITE	20
21	1	VITE	21	VITE	21	VITE	21
22	1	VITE	22	VITE	22	VITE	22
23	1	VITE	23	VITE	23	VITE	23
24	1	VITE	24	VITE	24	VITE	24
25	1	VITE	25	VITE	25	VITE	25
26	1	VITE	26	VITE	26	VITE	26
27	1	VITE	27	VITE	27	VITE	27
28	1	VITE	28	VITE	28	VITE	28
29	1	VITE	29	VITE	29	VITE	29

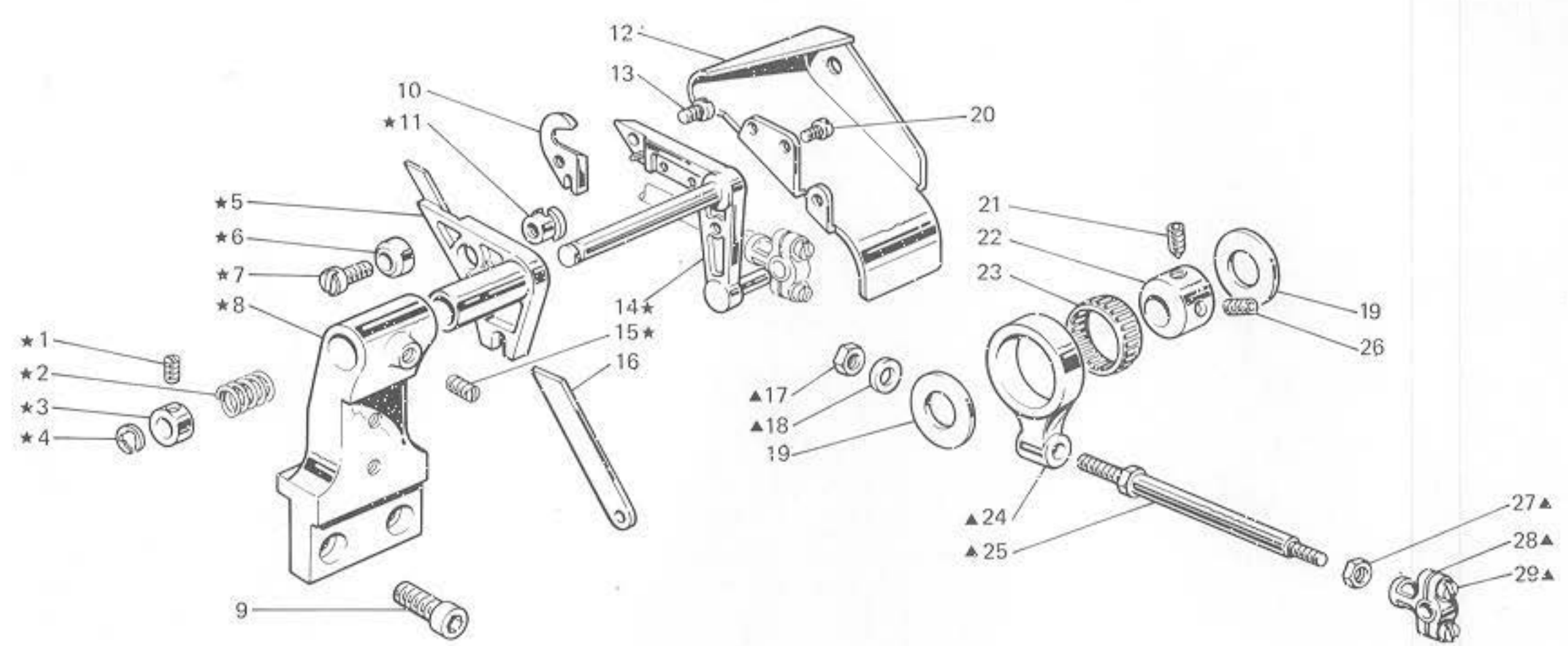


Fig. N. Abb. N.	Part. N. Pezce N. Bestell N. Pieza N.	Qt. Anzahl	DESCRIZIONE	DESCRIPTION	DESCRIPTION	BENENNUNG	DESCRIPCION
★	309380-4-01	1	porta coltello completo	knife holder assembly	porte-couteau complet		
▲	302813-4-10	1	biella comando coltelli compl.	knives con-rod assembly	bielle com.couteaux compl.		
1	745114-0-00	2	vite	screw	vis		
2	302803-0-10	1	molla	spring	ressort		
3	302859-0-10	1	anello	ring	anneau		
4	700210-0-00	1	anello elastico	spring ring	anneau ressort		
5	302804-2-10	1	porta coltello inferiore	lower knife holding	porte couteaux inférieur		
6	302864-0-10	1	scodellino	cup	cuvette		
7	721475-2-00	1	vite	screw	vis		
8	309373-2-00	1	supporto	support	support		
9	722454-2-00	2	vite	screw	vis		
10	302807-0-10	1	coltello superiore	upper knife	couteau supérieur		
11	302806-0-10	1	anello	ring	anneau		
12	302840-0-10	1	carterino	cover	carter		
13	741642-2-00	1	vite	screw	vis		
14	302801-3-11	1	porta coltello superiore	upper knife holding	porte couteau supérieur		
15	727056-0-00	1	vite	screw	vis		
16	302808-0-10	1	coltello inferiore	lower knife	couteau inférieur		
17	746204-2-00	1	dado	nut	écrou		
18	703208-0-00	1	rondella elastica	spring washer	rondella élastique		
19	703825-0-00	2	rondella	washer	rondelle		
20	721412-2-00	3	vite	screw	vis		
21	730023-2-00	1	vite	screw	vis		
22	308762-2-00	1	eccentrico compl.con viti	eccentric ass.with screws	excentrique complet avec cis		
23	302857-0-10	1	gabbia a rullini	needles cage	cage à aiguilles		
24	302812-0-10	1	giunto	joint	joint		
25	302846-0-10	1	tirante	tie-rod	tirant		
26	729013-2-00	1	vite	screw	vis		
27	302708-0-01	1	dado	nut	écrou		
28	302844-3-10	1	testa di biella	con-rod big end	tête de bielle		
29	743243-2-00	2	vite	screw	vis		
			SOLO A RICHIESTA	ONLY ON REQUEST	SEULEMENT SUR DEMANDE		
10	302865-0-10	1	coltello superiore	upper knife	couteau supérieur		
	305671-2-00	1	coltello superiore	upper knife	couteau supérieur		
	302866-0-10	1	coltello superiore	upper knife	couteau supérieur		
12	302869-0-10	1	carterino	cover	carter		
16	305670-2-00	1	coltello inferiore	lower knife	couteau inférieur		

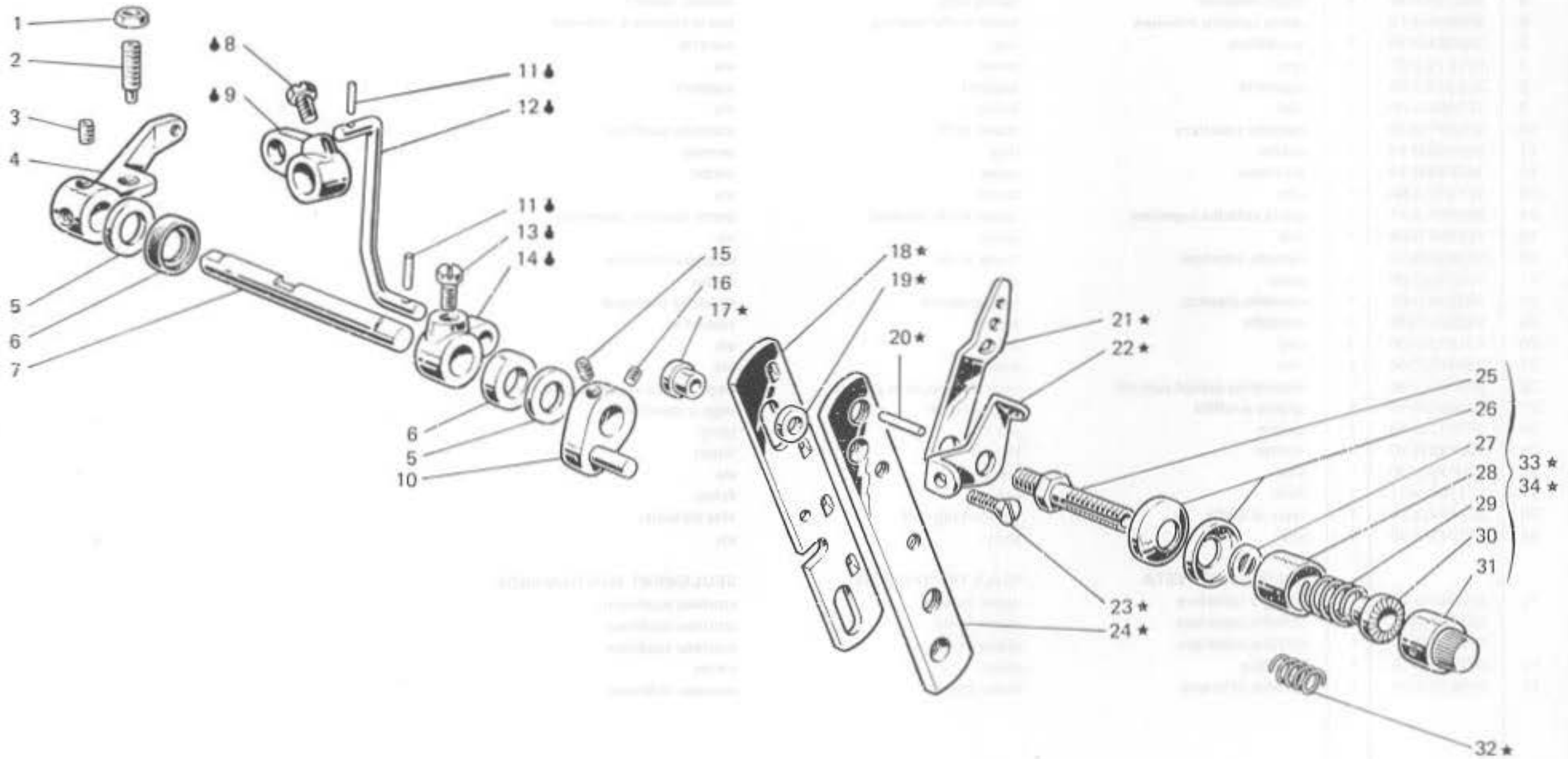


Fig. N. Abb. N.	Part. N. Piece N. Bestel N. Pieza N.	Qt. Anzahl	DESCRIZIONE	DESCRIPTION	DESCRIPTION	BENENNUNG	DESCRIPCION
★	308532-4-00	1	gruppo tensioni	tension assembly	groupe tension		
⚙	308320-4-00	1	tirante con leva	tie-rod with lever	tirant avec levier		
1	746204-0-00	1	dado	nut	écrou		
2	729884-2-00	1	vite	screw	vis		
3	729034-2-00	2	vite per leva	screw for lever	vis pour levier		
4	308062-2-00	1	leva comando alza piedino	presserfoot control lever	levier soulèv. pied presseur		
5	704240-2-00	2	rondella	washer	rondelle		
6	304763-0-10	2	anello di tenuta	retainer ring	bague d'étanchéité		
7	308996-0-01	1	albero comando alza piedino	shaft	arbre		
8	740632-2-00	1	vite	screw	vis		
9	302232-0-10	1	leva superiore	upper lever	levier supérieur		
10	308496-2-00	1	leva sblocca tensione	lever	levier		
11	707241-0-00	2	spina elastica	split pin	goupille réglable		
12	308321-0-00	1	tirante	tie-rod	tirant		
13	740034-2-00	1	vite per leva	screw for lever	vis pour levier		
14	302238-0-10	1	leva per tirante	tie-rod lever	levier pour tirant		
15	745126-2-00	1	vite	screw	vis		
16	727834-2-00	1	vite	screw	vis		
17	308513-0-00	2	distanziale	spacer	entretoise		
18	308502-0-00	1	slitta per tensione	slide for tension	glissière pour tension		
19	701007-0-00	2	anello	ring	anneau		
20	308506-0-00	3	pernetto	pin	pivot		
21	308501-0-01	3	passafilo	thread guide	passé-fil		
22	308503-0-01	3	guidafilo	thread guide	guide-fil		
23	744587-2-00	2	vite	screw	vis		
24	308504-0-00	1	supporto	support	support		
25	308505-0-00	3	perno a vite	threaded pin	pivot à vis		
26	300218-0-10	6	disco tensione	tension disc	disque tension		
27	308507-0-00	3	rondella	washer	rondelle		
28	202556-0-00	3	scodellino	cup	cuvette		
29	200710-0-10	2	molla	spring	ressort		
30	202229-0-10	3	bussola superiore	upper bush	bague supérieure		
31	202558-2-00	3	pomolo	knob	pommeau		
32	200714-0-10	1	molla	spring	ressort		
33	308518-4-00	2	tensione sup.con molla fig.29	upper tension with spring fig.29	tension sup.avec ressort fig.29		
34	308521-4-00	1	tensione inf.con molla fig.32	lower tension with spring fig.32	tension inf.avec ressort fig.32		

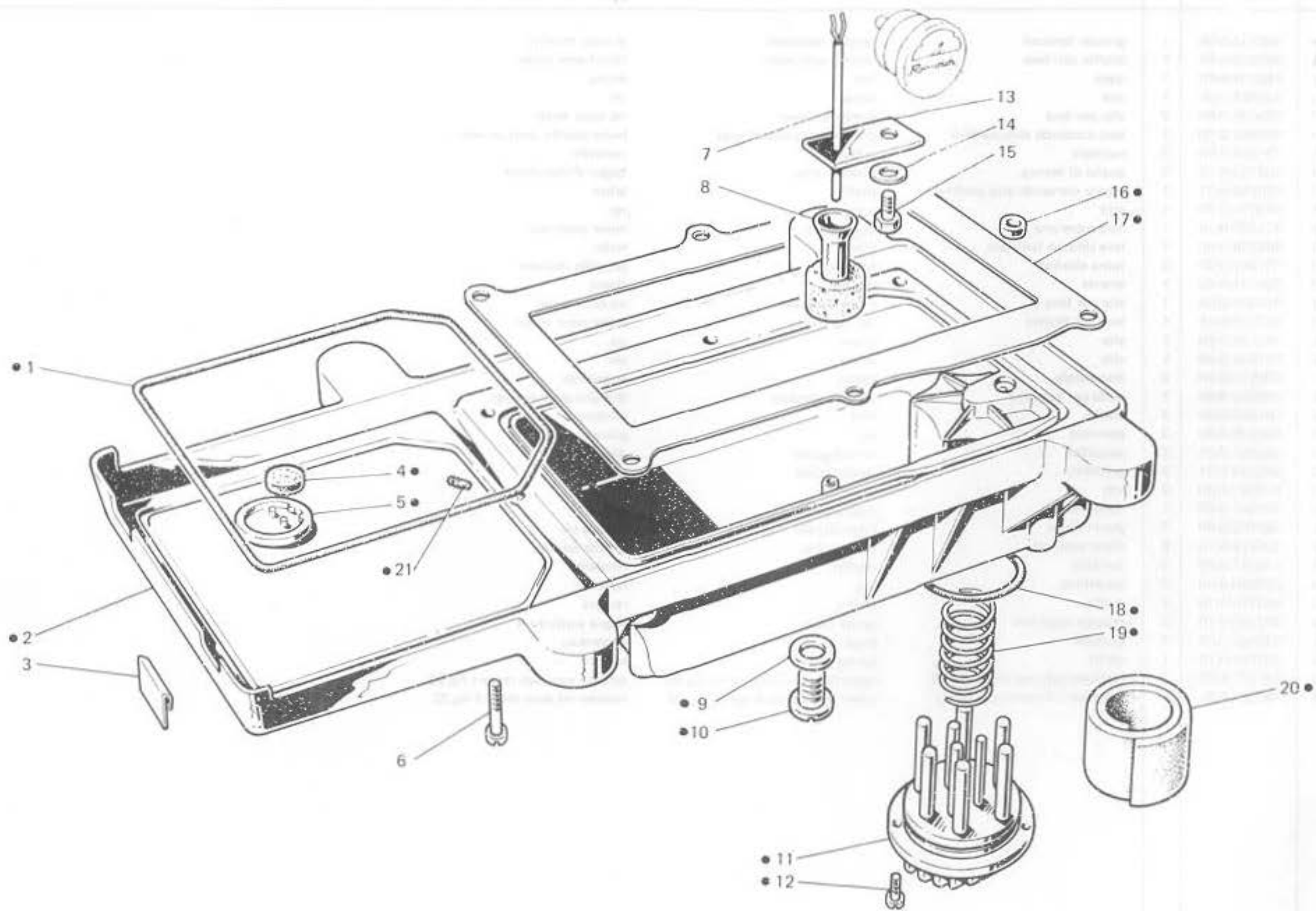
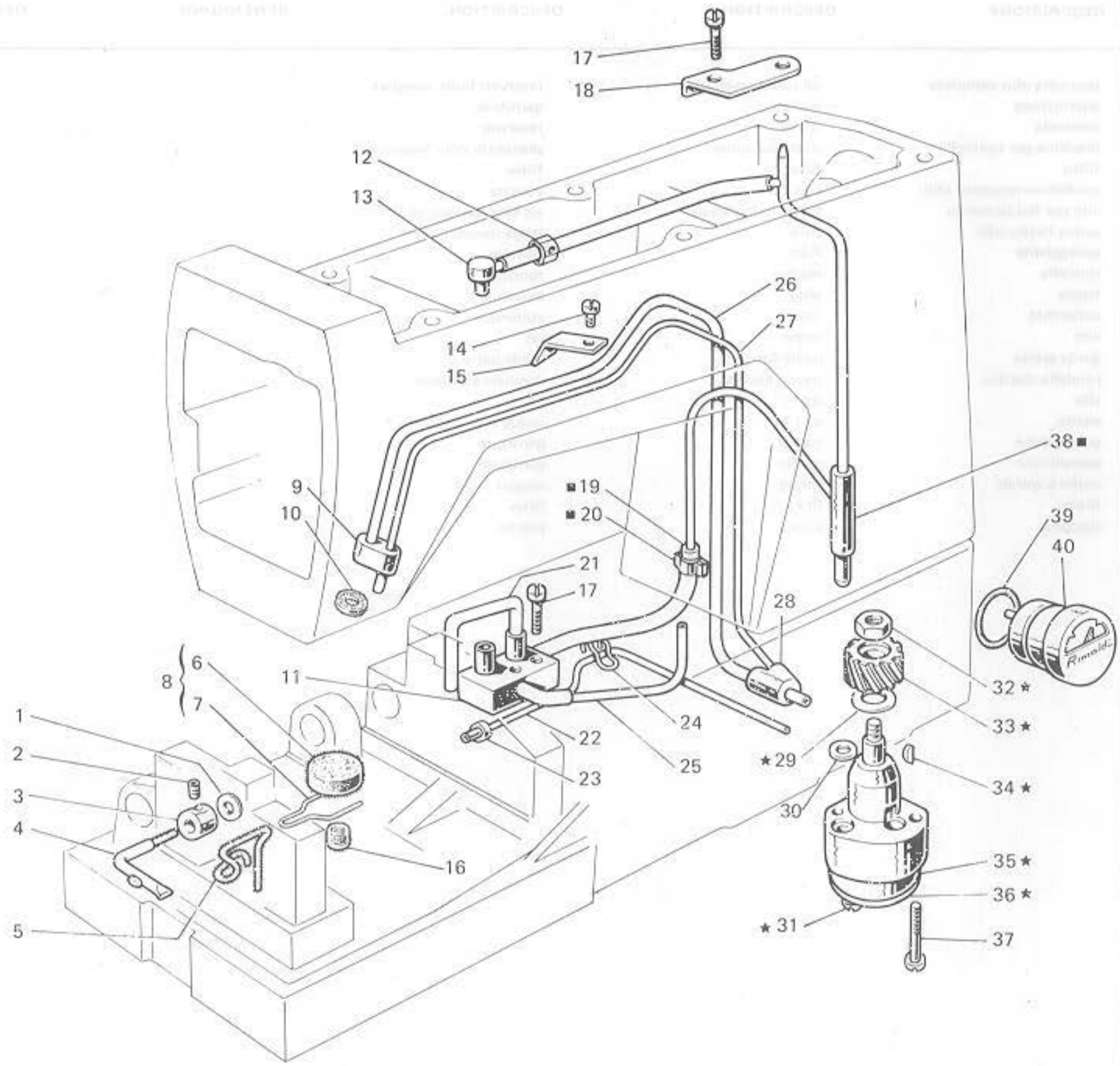


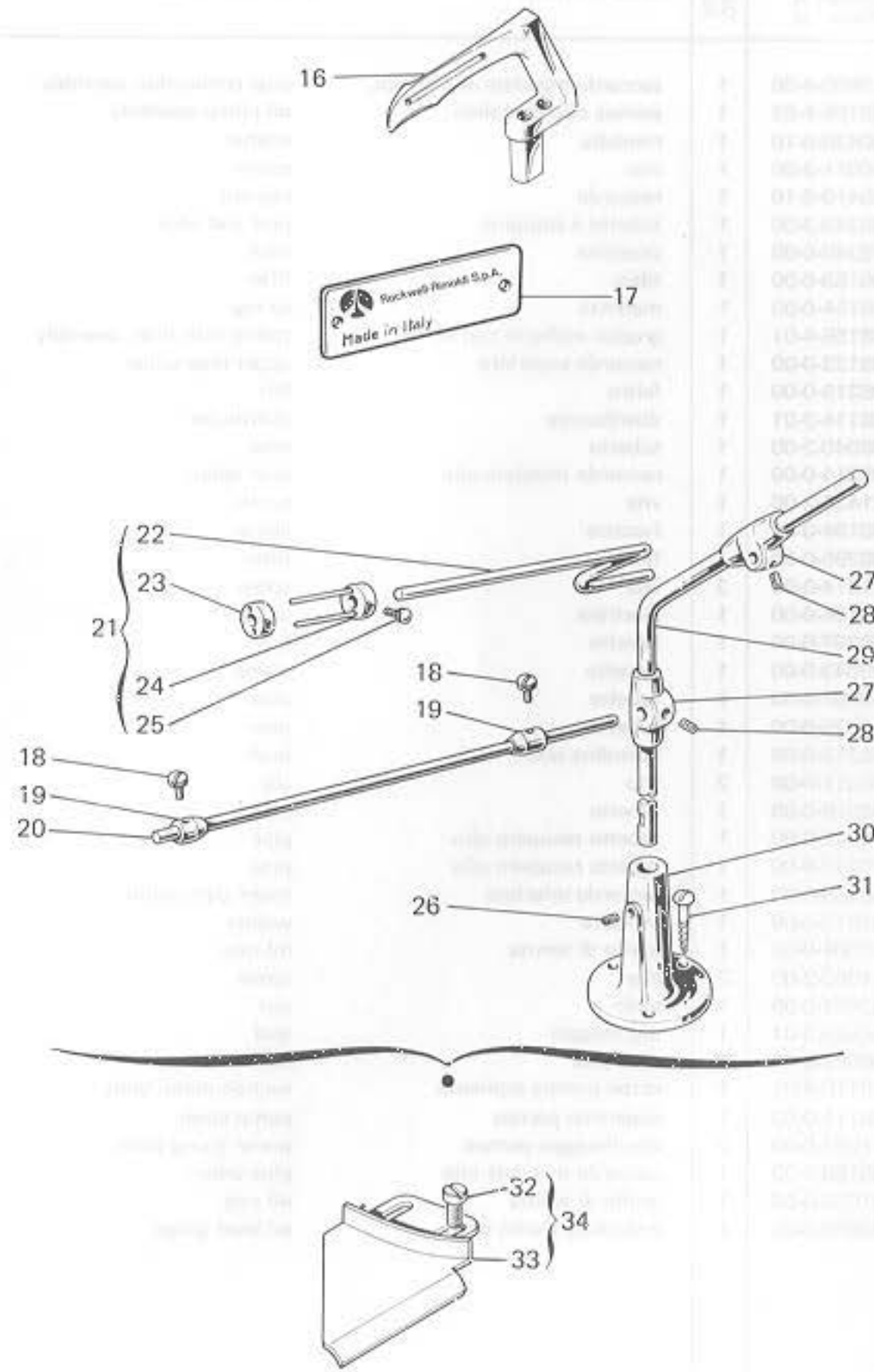
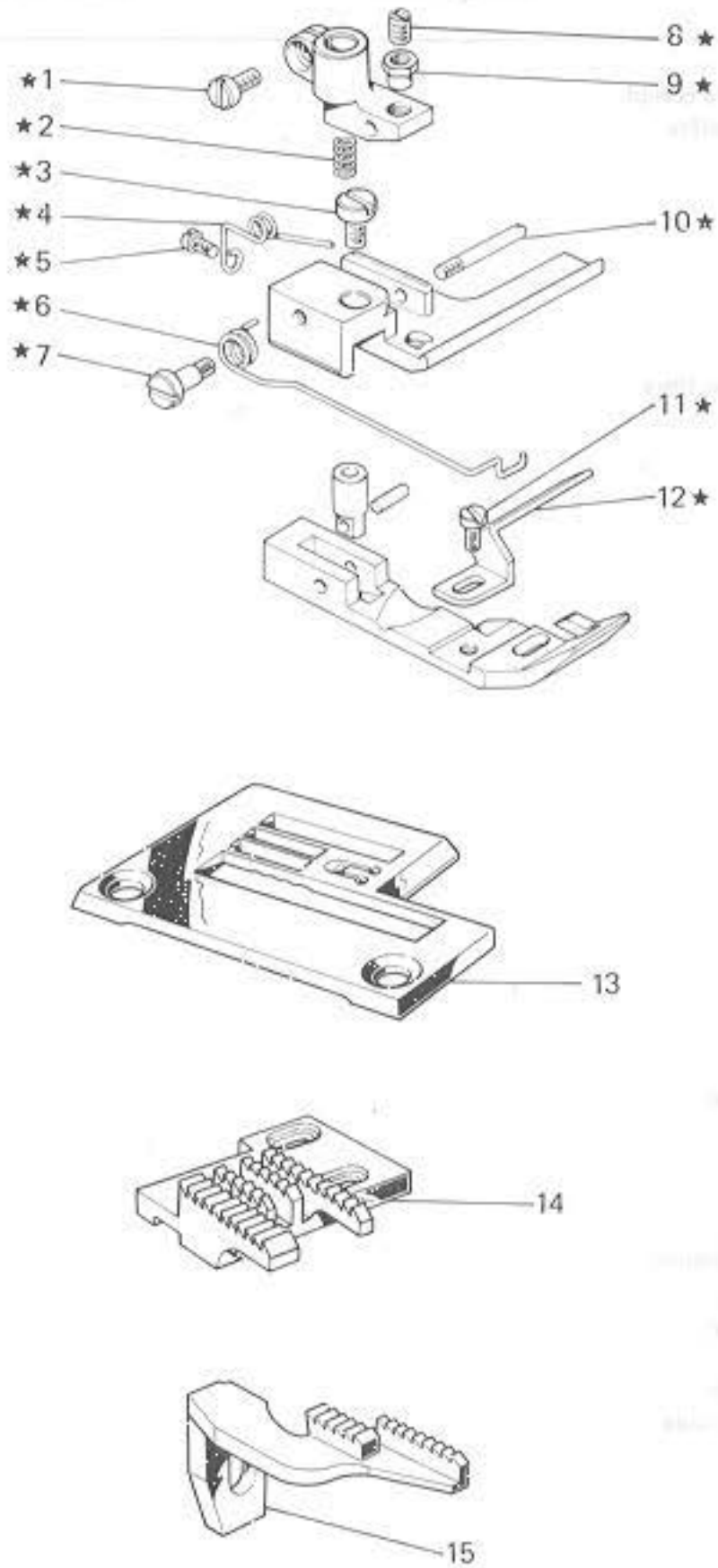
Fig. N. Abb. N.	Part. N. Bestell N. Piece N. Pieza N.	Qt. Anzahl	DESCRIZIONE	DESCRIPTION	DESCRIPTION	BENENNUNG	DESCRIPCION
●	308589-4-03	1	bacinella olio completa	oil sump assembly	reservoir huile complet		
1	308125-0-00	1	guarnizione	gasket	garniture		
2	308577-2-10	1	bacinella	sump	reservoir		
3	308002-0-00	2	piastrina per bacinella	sheet for sump	plaquette pour reservoir		
4	308151-0-00	1	filtro	filter	filtre		
5	308150-0-10	1	scodellino recupero olio	cup	cuvette		
6	722453-2-00	6	vite per fiss.bacinella	sump fixing screw	vis blocage reservoir		
7	308231-2-01	1	astina livello olio	stick	jauge niveau huile		
8	308228-2-00	1	galleggiante	float	flotteur		
9	705977-0-00	1	rondella	washer	rondelle		
10	206564-0-00	1	tappo	plug	bouchon		
11	206560-0-10	1	coperchio	cover	couvercle		
12	721464-2-00	2	vite	screw	vis		
13	308226-0-02	1	guida astina	guide for stick	guide barre		
14	703003-0-00	1	rondella elastica	spring washer	rondelle élastique		
15	740240-0-00	1	vite	screw	vis		
16	308113-0-00	1	anello	oil ring	bague d'étanchéité		
17	311395-0-00	1	guarnizione	gasket	garniture		
18	701051-0-00	1	guarnizione	gasket	garniture		
19	206545-0-00	1	molta a spirale	spring	ressort		
20	206559-0-00	1	filtro	filtre	filter		
21	778461-0-00	1	stoppino	wick	mèche		



QTY	DESCRIPTION	REF. NO.	UNIT
1	Motor	1	PC
2	Drive shaft	2	PC
3	...	3	PC
4	...	4	PC
5	...	5	PC
6	...	6	PC
7	...	7	PC
8	...	8	PC
9	...	9	PC
10	...	10	PC
11	...	11	PC
12	...	12	PC
13	...	13	PC
14	...	14	PC
15	...	15	PC
16	...	16	PC
17	...	17	PC
18	...	18	PC
19	...	19	PC
20	...	20	PC
21	...	21	PC
22	...	22	PC
23	...	23	PC
24	...	24	PC
25	...	25	PC
26	...	26	PC
27	...	27	PC
28	...	28	PC
29	...	29	PC
30	...	30	PC
31	...	31	PC
32	...	32	PC
33	...	33	PC
34	...	34	PC
35	...	35	PC
36	...	36	PC
37	...	37	PC
38	...	38	PC
39	...	39	PC
40	...	40	PC

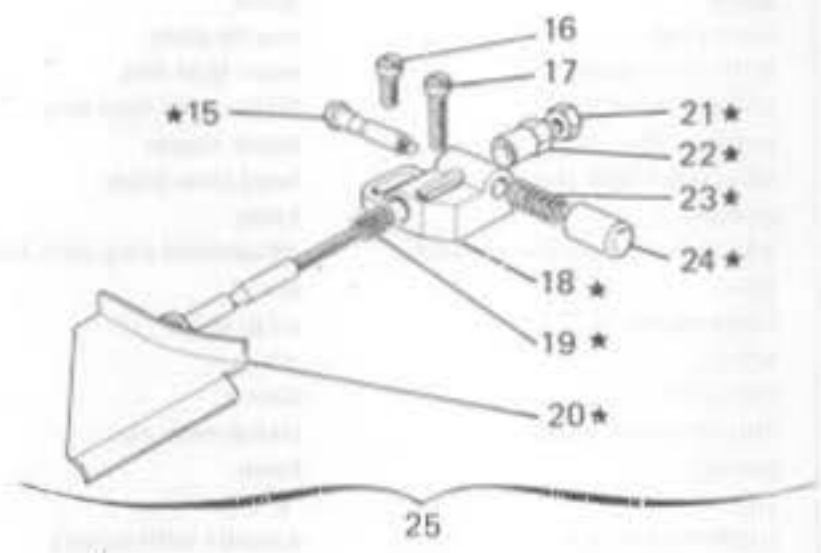
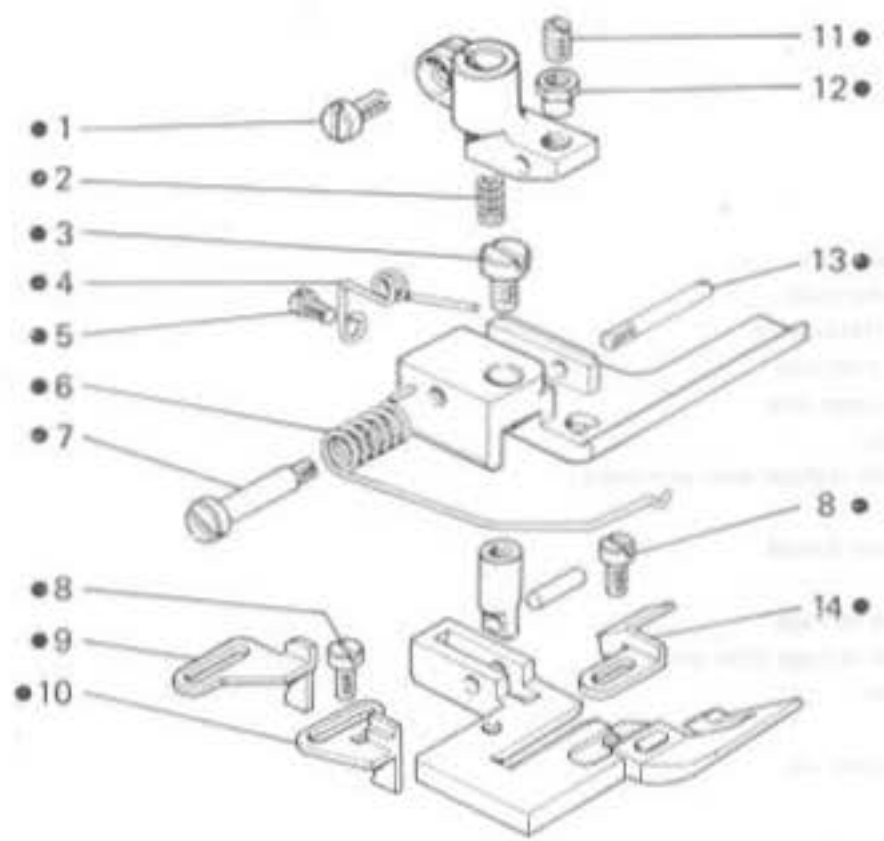
Fig. N. Abb. N.	Part. N. Piece N. Bestell N. Pieza N.	Qt. Anzahl	DESCRIZIONE	DESCRIPTION	DESCRIPTION	BENENNUNG	DESCRIPTION
■	310500-4-00	1	raccordo mandata olio compl.	pipe connection assembly	raccord envoi huile compl.		
★	308105-4-02	1	pompa olio completa	oil pump assembly	pumpe huile complète		
1	300420-0-10	1	rondella	washer	rondelle		
2	730011-2-00	1	vite	screw	vis		
3	300419-0-10	1	raccordo	raccord	raccord		
4	308243-3-00	1	tubetto e stoppino	pipe and wick	tube et mèche		
5	778240-0-00	1	stoppino	wick	mèche		
6	308153-0-00	1	filtro	filter	filtre		
7	308154-0-00	1	molletta	spring	ressort		
8	308155-4-01	1	gruppo molletta con filtro	spring with filter assembly	groupe ressort avec filtre		
9	308123-0-00	1	raccordo superiore	upper pipe union	raccord supérieur		
10	308219-0-00	1	feltro	felt	feutre		
11	308114-2-01	1	distributore	distributor	distributeur		
12	308040-2-00	1	tubetto	pipe	tube		
13	308214-0-00	1	raccordo mandata olio	pipe union	raccord		
14	721424-2-00	1	vite	screw	vis		
15	308184-0-00	1	fascetta	clamp	bride		
16	308295-0-00	1	filtro	filter	filtre		
17	721514-0-00	3	vite	screw	vis		
18	308104-0-00	1	piastrina	plate	plaquette		
19	308207-0-00	1	tubetto	pipe	tube		
20	308043-0-00	1	fascetta	clamp	bride		
21	790307-0-00	1	tubetto	pipe	tube		
22	790325-0-00	1	tubetto	pipe	tube		
23	308212-0-00	1	bussolina olio	bush	bague		
24	308211-0-00	2	clip	clip	clip		
25	790315-0-00	1	tubetto	pipe	tube		
26	790342-0-00	1	tubetto recupero olio	pipe	tube		
27	790242-0-00	1	tubetto recupero olio	pipe	tube		
28	308185-0-00	1	raccordo inferiore	lower pipe union	raccord inférieur		
29	704813-0-00	1	rondella	washer	rondelle		
30	701004-0-00	1	anello di tenuta	oil ring	bague d'étanchéité		
31	741082-2-00	2	vite	screw	vis		
32	733507-0-00	1	dado	nut	écrou		
33	206555-0-01	1	ingranaggio	gear	engrenage		
34	206557-0-00	1	chiavetta	key	clavette		
35	308110-3-01	1	corpo pompa aspirante	suction pump body	corps pompe admission		
36	308111-0-00	1	coperchio pompa	pump cover	couvercle pompe		
37	741092-0-00	2	vite fissaggio pompa	pump fixing screw	vis fixation pompe		
38	308180-2-00	1	raccordo mandata olio	pipe union	raccord		
39	701032-0-00	1	anello di tenuta	oil ring	bague d'étanchéité		
40	206669-2-02	1	indicatore livello olio	oil level gauge	indicateur niveau huile		

Fig. N. Abb. N.	Part. N. Bestell N. Piece N. Pieza N.	Qt. Anzahl	DESCRIZIONE	DESCRIPTION	DESCRIPTION	BENENNUNG	DESCRIPCION
●	308934-4-00	1	gruppo tensione crochet infer.	tension assembly for lower looper	groupe tension crochet inférieur		
1	308556-0-00	1	astina	rod	tige		
2	705201-0-00	1	rondella	washer	rondelle		
3	740220-2-00	1	vite	screw	vis		
4	741413-2-00	2	vite	screw	vis		
5	302172-0-10	2	passafilo	thread guide	passe-fil		
6	741612-0-00	1	vite	screw	vis		
7	308558-0-00	1	traversino	tie-rod	traverse		
8	302204-0-10	1	pomolo	knob	pommeau		
9	300310-0-10	1	molla	spring	ressort		
10	704218-2-00	1	rondella	washer	rondelle		
11	200324-0-10	2	disco tensione	tension disc	disque tension		
12	300391-0-10	1	perno a vite	threaded pin	pivot à vis		
13	741642-2-00	1	vite	screw	vis		
14	302168-2-10	1	supporto	support	support		
15	308553-2-00	1	piastra	plate	plaque		
16	721444-2-00	2	vite	screw	vis		
17	308551-0-00	1	squadretta	bracket	équerre		
18	704302-4-00	3	rondella	washer	rondelle		
19	740210-2-00	2	vite	screw	vis		
20	302064-0-10	1	salva ago	needle guard	protège aiguille		
21	300483-0-10	4	vite	screw	vis		
22	302136-0-12	1	passafilo	thread guide	passe-fil		
23	308137-0-00	1	cavallotto	coupling	cavalier		
24	308890-0-00	1	passafilo	thread guide	passe-fil		
25	724420-2-00	1	vite	screw	vis		
26	729011-2-00	1	vite	screw	vis		
27	741682-0-00	1	vite	screw	vis		
28	302149-0-11	1	passafilo	thread guide	passe-fil		
29	311098-0-00	2	passafilo	thread guide	passe-fil		
30	704210-4-00	2	rondella	washer	rondelle		
31	303045-0-10	3	vite	screw	vis		
32	308203-0-01	3	guidafilo	thread guide	guide-fil		



Q. T.	Descrizione	Q. T.	Descrizione
1	16-0-01101	1	16-0-01101
1	16-0-01102	1	16-0-01102
1	16-0-01103	1	16-0-01103
1	16-0-01104	1	16-0-01104
1	16-0-01105	1	16-0-01105
1	16-0-01106	1	16-0-01106
1	16-0-01107	1	16-0-01107
1	16-0-01108	1	16-0-01108
1	16-0-01109	1	16-0-01109
1	16-0-01110	1	16-0-01110
1	16-0-01111	1	16-0-01111
1	16-0-01112	1	16-0-01112
1	16-0-01113	1	16-0-01113
1	16-0-01114	1	16-0-01114
1	16-0-01115	1	16-0-01115
1	16-0-01116	1	16-0-01116
1	16-0-01117	1	16-0-01117
1	16-0-01118	1	16-0-01118
1	16-0-01119	1	16-0-01119
1	16-0-01120	1	16-0-01120
1	16-0-01121	1	16-0-01121
1	16-0-01122	1	16-0-01122
1	16-0-01123	1	16-0-01123
1	16-0-01124	1	16-0-01124
1	16-0-01125	1	16-0-01125
1	16-0-01126	1	16-0-01126
1	16-0-01127	1	16-0-01127
1	16-0-01128	1	16-0-01128
1	16-0-01129	1	16-0-01129
1	16-0-01130	1	16-0-01130
1	16-0-01131	1	16-0-01131
1	16-0-01132	1	16-0-01132
1	16-0-01133	1	16-0-01133
1	16-0-01134	1	16-0-01134
1	16-0-01135	1	16-0-01135
1	16-0-01136	1	16-0-01136
1	16-0-01137	1	16-0-01137
1	16-0-01138	1	16-0-01138
1	16-0-01139	1	16-0-01139
1	16-0-01140	1	16-0-01140
1	16-0-01141	1	16-0-01141
1	16-0-01142	1	16-0-01142
1	16-0-01143	1	16-0-01143
1	16-0-01144	1	16-0-01144
1	16-0-01145	1	16-0-01145
1	16-0-01146	1	16-0-01146
1	16-0-01147	1	16-0-01147
1	16-0-01148	1	16-0-01148
1	16-0-01149	1	16-0-01149
1	16-0-01150	1	16-0-01150
1	16-0-01151	1	16-0-01151
1	16-0-01152	1	16-0-01152
1	16-0-01153	1	16-0-01153
1	16-0-01154	1	16-0-01154
1	16-0-01155	1	16-0-01155
1	16-0-01156	1	16-0-01156
1	16-0-01157	1	16-0-01157
1	16-0-01158	1	16-0-01158
1	16-0-01159	1	16-0-01159
1	16-0-01160	1	16-0-01160
1	16-0-01161	1	16-0-01161
1	16-0-01162	1	16-0-01162
1	16-0-01163	1	16-0-01163
1	16-0-01164	1	16-0-01164
1	16-0-01165	1	16-0-01165
1	16-0-01166	1	16-0-01166
1	16-0-01167	1	16-0-01167
1	16-0-01168	1	16-0-01168
1	16-0-01169	1	16-0-01169
1	16-0-01170	1	16-0-01170
1	16-0-01171	1	16-0-01171
1	16-0-01172	1	16-0-01172
1	16-0-01173	1	16-0-01173
1	16-0-01174	1	16-0-01174
1	16-0-01175	1	16-0-01175
1	16-0-01176	1	16-0-01176
1	16-0-01177	1	16-0-01177
1	16-0-01178	1	16-0-01178
1	16-0-01179	1	16-0-01179
1	16-0-01180	1	16-0-01180
1	16-0-01181	1	16-0-01181
1	16-0-01182	1	16-0-01182
1	16-0-01183	1	16-0-01183
1	16-0-01184	1	16-0-01184
1	16-0-01185	1	16-0-01185
1	16-0-01186	1	16-0-01186
1	16-0-01187	1	16-0-01187
1	16-0-01188	1	16-0-01188
1	16-0-01189	1	16-0-01189
1	16-0-01190	1	16-0-01190
1	16-0-01191	1	16-0-01191
1	16-0-01192	1	16-0-01192
1	16-0-01193	1	16-0-01193
1	16-0-01194	1	16-0-01194
1	16-0-01195	1	16-0-01195
1	16-0-01196	1	16-0-01196
1	16-0-01197	1	16-0-01197
1	16-0-01198	1	16-0-01198
1	16-0-01199	1	16-0-01199
1	16-0-01200	1	16-0-01200

Fig. N. Abb. N.	Part. N. Bestell N. Piece N. Pieza N.	Qt. Anzahl	DESCRIZIONE	DESCRIPTION	DESCRIPTION	BENENNUNG	DESCRIPCION
★	304407-3-11	1	pedino completo	presserfoot assembly	ped presseur complet		
●	990709-4-12	1	porta rotolo completo	roll carrier assembly	porte-rouleau complet		
1	741721-2-00	1	vite	screw	vis		
2	303052-0-00	1	molla	spring	ressort		
3	741414-2-00	1	vite	screw	vis		
4	300119-0-11	1	molla	spring	ressort		
5	721411-2-00	1	vite	screw	vis		
6	302821-0-10	1	molla	spring	ressort		
7	743134-2-00	1	vite	screw	vis		
8	301596-0-11	1	vite	screw	vis		
9	301598-0-11	1	dado	nut	écrou		
10	300120-0-10	1	spina filettata	pin	goupille		
11	741413-2-00	1	vite	screw	vis		
12	302773-0-11	1	guida	guide	guide		
13	302811-0-10	1	placca ago	needle plate	plaque aiguille		
14	302796-0-10	1	griffa principale	main feed dog	griffe principale		
15	302798-0-10	1	griffa differenziale	differential feed dog	griffe différentielle		
16	302057-0-11	1	crochet inferiore	lower looper	crochet inférieur		
17	784655-0-30	1	targhetta classe testa	head class plate	plaque classe tête		
18	990596-0-10	2	pomolo	knob	pommeau		
19	990594-2-00	2	anello di registro con pomolo	adjustment ring with knob	anneau de réglage avec pommeau		
20	990593-0-11	1	spina	pin	goupille		
21	990705-4-11	1	passa nastro	strap guide	guide pour bande		
22	990704-0-11	1	spina	pin	goupille		
23	990708-0-10	1	morsetto	clamp	collier de serrage		
24	990707-2-10	1	morsetto con spine	clamp with pin	collier de serrage avec goupille		
25	930096-0-10	2	pomolo	knob	pommeau		
26	729054-2-00	1	vite	screw	vis		
27	991153-2-00	2	supporto con viti	support with screws	support avec vis		
28	729024-2-00	4	vite	screw	vis		
29	990703-0-11	1	asta	rod	tige		
30	991114-2-00	1	basetta con vite	base with screw	base avec vis		
31	731107-2-00	3	vite da legno	screw	vis		
32	721434-2-00	2	vite	screw	vis		
33	302851-2-10	1	guida	guide	guide		
34	310040-4-00	1	guida con viti	guide with screws	guide avec vis		



QTY	DESCRIPTION	UNIT
1
2
3
4
5
6
7
8
9
10
11
12
13
14
15
16
17
18
19
20
21
22
23
24
25

Fig. N. Abb. N.	Part. N. Bestell N. Piece N. Pieza N.	Qt. Anzahl	DESCRIZIONE	DESCRIPTION	DESCRIPTION	BENENNUNG	DESCRIPCION
●	302873-3-12	1	SOLO A RICHIESTA pedino completo	ONLY ON REQUEST presserfoot assembly	SEULEMENT SUR DEMANDE pied presseur complet		
★	302765-4-10	1	guida regolabile	guide	guide		
1	741721-2-00	1	vite	screw	vis		
2	303052-0-00	1	molla	spring	ressort		
3	741414-2-00	1	vite	screw	vis		
4	300119-0-11	1	molla	spring	ressort		
5	721411-2-00	1	vite	screw	vis		
6	302872-0-10	1	molla	spring	vis		
7	302870-0-10	1	vite	screw	vis		
8	741413-2-00	2	vite	screw	vis		
9	302883-0-00	1	guida pizzo	strap guide	guide pour bande		
10	302871-0-00	1	guida pizzo	strap guide	guide pour bande		
11	301596-0-11	1	vite	screw	vis		
12	301598-0-11	1	dado	nut	écrou		
13	300120-0-10	1	spina filettata	pin	goupille		
14	302876-0-10	1	guida elastico	elastic guide	guide élastique		
15	302762-0-10	1	perno	pin	pivot		
16	721474-2-00	1	vite	screw	vis		
17	721494-2-00	1	vite	screw	vis		
18	302768-0-10	1	blocchetto	block	bloc		
19	302766-0-10	1	molla	spring	ressort		
20	302764-2-10	1	guida	guide	guide		
21	746021-2-00	1	dado	nut	écrou		
22	302769-0-10	1	pomolo	knob	pommeau		
23	302767-0-10	1	molla	spring	ressort		
24	302770-0-10	1	pomolo	knob	pommeau		
25	310043-4-00	1	guida regolabile completa	guide assembly	guide complet		

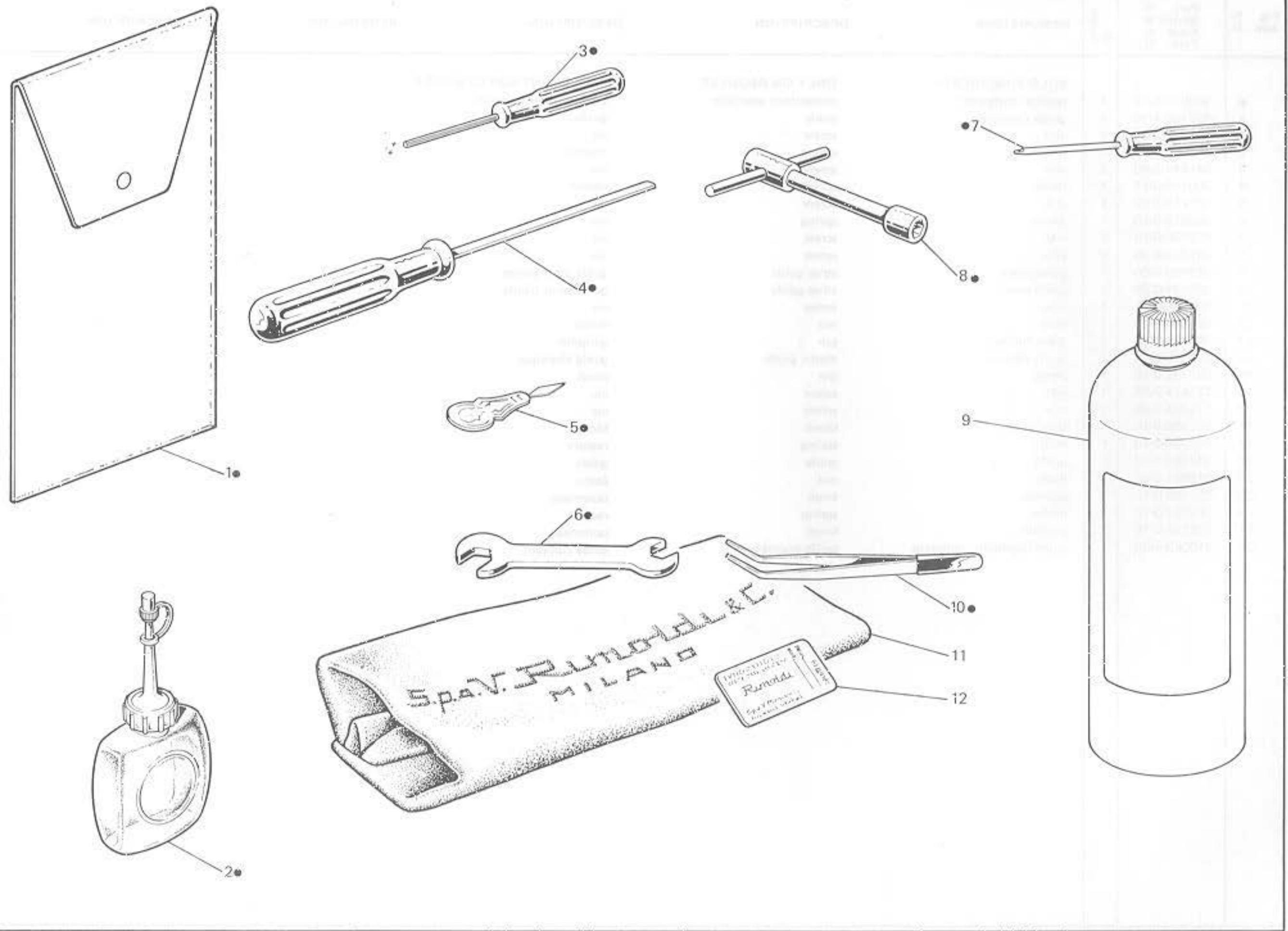


Fig. N. Abb. N.	Part. N. Piecce N. Bestell N. Pieza N.	Qt. Anzahl	DESCRIZIONE	DESCRIPTION	DESCRIPTION	BENENNUNG	DESCRIPCION
●	991408-4-00	1	busta accessori completa	accessories envelope assembly	envelope accessoires complète		
1	991415-0-00	1	busta accessori	accessories envelope	envelope accessoires		
2	990175-0-10	1	oliatore	oiler	graisseur		
3	990474-0-11	1	chiave esagonale da 1,5 mm	1,5 mm hexagonal key	clé hexagonale da 1,5 mm		
4	990181-0-10	1	cacciavite medio	screw-driver	tournevis moyen		
5	990188-0-10	1	infilatura aghi	needle threading	enfiles aiguilles		
6	990193-0-00	1	chiave da 5-7 mm	5-7 mm key	clé da 5-7 mm		
7	990182-0-10	1	cacciavite piccolo	screw driver	petite tournevis		
8	990587-0-10	1	chiave a tubo da 9 mm	9 mm key	clé à tube de 9 mm		
9	990075-1-13	1	lattina olio kg.1	oil container (1kg.)	bidon huile de 1 kg.		
10	990176-0-10	1	pinza per infilatura	threading tweezers	pince pour infilage		
11	990578-0-12	1	cuffia protez.macchina	machine cover	couverture protection machine		
12	★	1	bustina aghi	needle packet	paquette aiguille		

<p>★ per l'ordinazione della bustina citare lo stesso simbolo dell'ago montato sulla testa</p>	<p>★ to order packet of needles please specify symbol of needle fitted on machine</p>	<p>★ pour commander un sachet d'aiguilles donner le symbol de l'aiguille montée sur la tête</p>
--	---	---

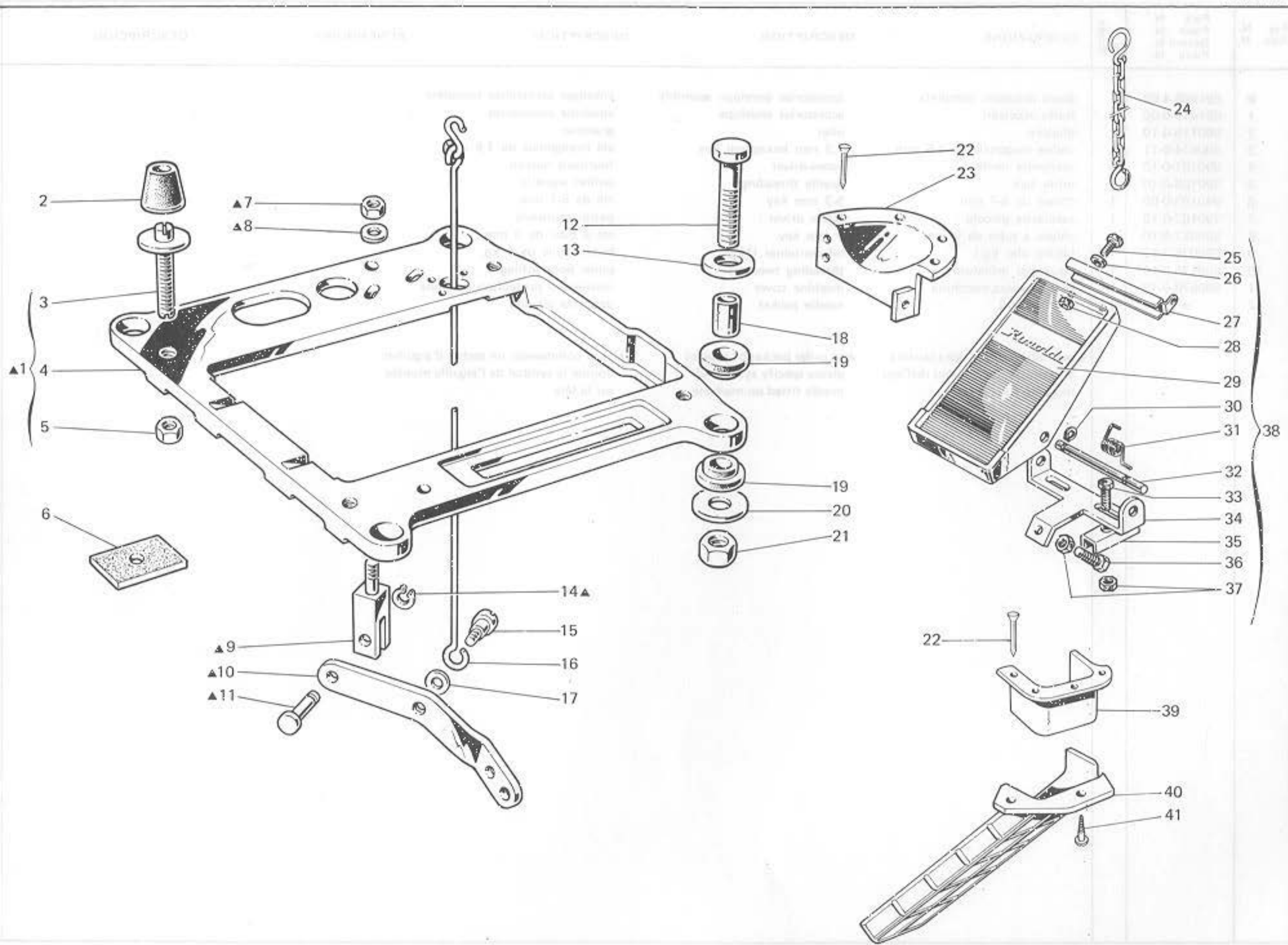


Fig. N. Abb. N.	Part. N. Bestell N. Piece N. Pieza N.	Qt. Anzahl	DESCRIZIONE	DESCRIPTION	DESCRIPTION	BENENNUNG	DESCRIPCION
▲	991253-4-00	1	PIAZZAMENTO NORMALE	NORMAL SETTING	INSTALLATION NORMAL		
1	991251-4-00	1	supporto testa completo	head support assembly	support tête complet		
2	990982-0-00	4	supporto testa con perno	head support with pin	support tête avec pivot		
3	990694-0-11	4	ammortizzatore	shock absorber	amortisseur		
4	991250-0-00	1	perno	pin	pivot		
5	733008-2-00	4	supporto testa	head support	support tête		
6	900203-0-10	4	dado	nut	écrou		
7	746409-2-00	1	ammortizzatore per tavola	shock absorber	amortisseur pour table		
8	704316-2-00	1	dado	nut	écrou		
9	704316-2-00	1	rondella	washer	rondelle		
10	991256-0-00	1	supportino per leva	support for lever	support pour levier		
11	991255-0-00	1	leva	lever	levier		
12	991257-0-00	1	perno	pin	pivot		
13	722905-2-00	4	vite	screw	vis		
14	704346-2-00	4	rondella	washer	rondelle		
15	700208-0-00	1	anello elastico	spring ring	anneau ressort		
16	743541-2-00	1	vite	screw	vis		
17	991259-3-00	1	tirante	tie-rod	tirant		
18	704310-2-00	1	rondella	washer	rondelle		
19	901102-0-00	4	distanziale	spacer	entretoise		
20	901101-0-00	8	ammortizzatore	shock absorber	amortisseur		
21	704345-2-00	4	rondella	washer	rondelle		
22	733813-0-00	4	dado	nut	écrou		
23	900201-0-10	13	chiodini	rivets	clous		
24	990317-0-10	1	protezione volantino	handwheel protection	protection volant		
25	990179-4-11	1	catenella	chain	chainette		
26	720464-0-00	2	vite	screw	vis		
27	704009-4-00	2	rondella	washer	rondelle		
28	900926-0-00	1	attacco	coupling	raccord		
29	733508-4-00	2	dado	nut	écrou		
30	900931-0-00	1	copertura	covering	couverture		
31	900918-0-00	2	anello elastico	spring ring	anneau ressort		
32	900927-0-00	1	molla	spring	ressort		
33	900928-0-00	1	perno	pin	pivot		
34	720505-4-00	2	vite	screw	vis		
35	900929-0-01	1	supporto	support	support		
36	900920-0-00	2	piatrina	plate	plaquette		
37	720545-4-00	1	vite	screw	vis		
38	733510-4-00	3	dado	nut	écrou		
39	900925-4-01	1	pedalina completa	pedal assembly	pédale complète		
40	990675-0-10	1	bocchetta	cup	bouche		
41	990674-0-00	1	canale scarica ritagli	offlet	canal décharge-chutes		
42	731086-0-00	2	vite da legno	screw	vis		

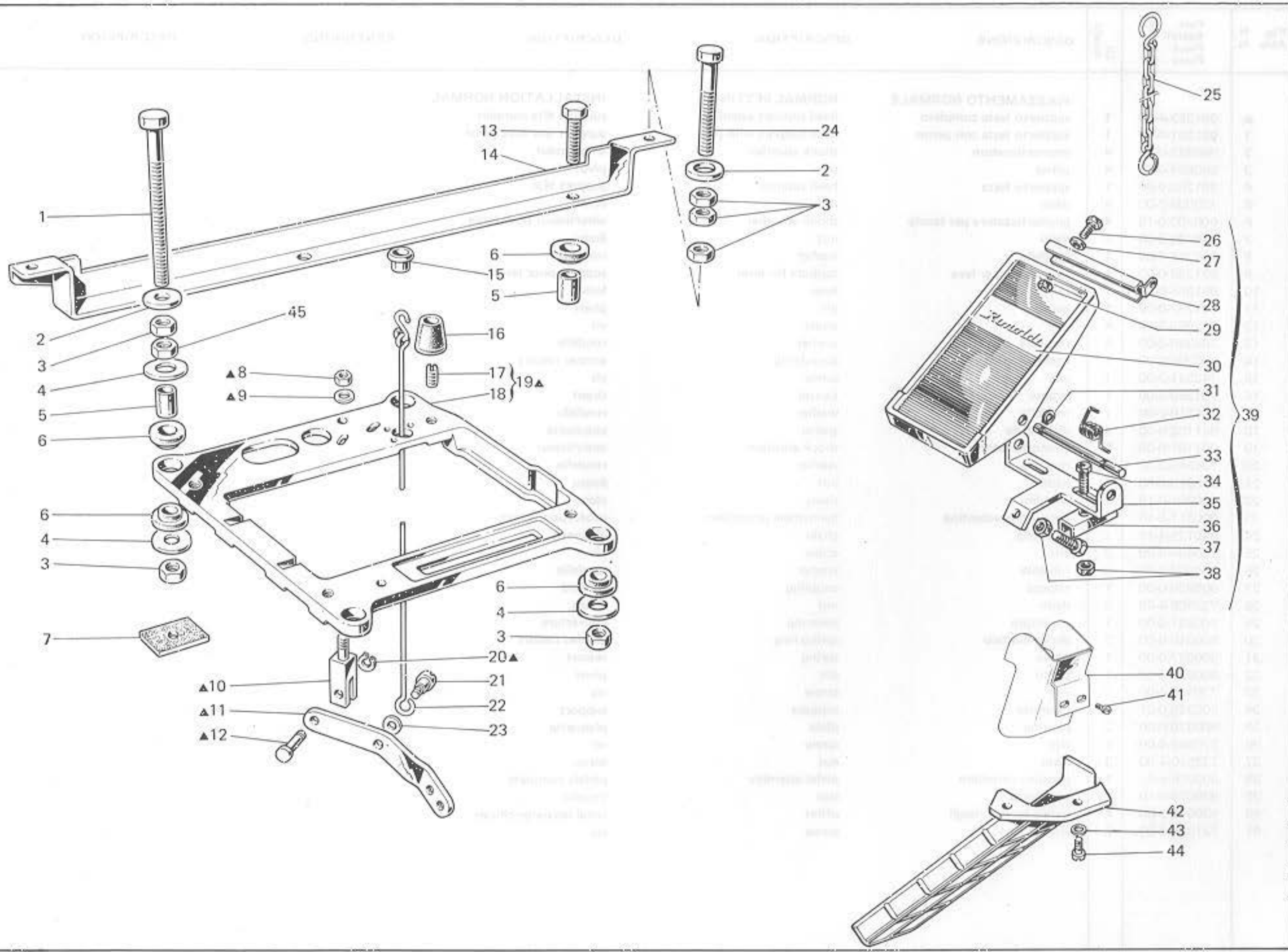


Fig. N. Abb. N.	Part. N. Piece N. Bestell N. Pieza N.	Qt. Anzahl	DESCRIZIONE	DESCRIPTION	DESCRIPTION	BENENNUNG	DESCRIPCION
▲	991254-4-00	1	PIAZZAMENTO INCASSATO	SUBMERGED SETTING	INSTALLATION ENCASTREE		
1	722920-2-00	2	supporto testa completo	head support assembly	support tête complet		
2	704346-2-00	4	vite	screw	vis		
3	704346-2-00	4	rondella	washer	rondelle		
4	733813-0-00	10	dado	nut	écrou		
5	704345-2-00	6	rondella	washer	rondelle		
6	901102-0-00	4	distanziale	spacer	entretoise		
7	901101-0-00	8	ammortizzatore	shock absorber	amortisseur		
8	900203-0-10	4	ammortizzatore per tavola	shock absorber	amortisseur pour table		
9	746409-2-00	1	dado	nut	écrou		
10	704316-2-00	1	rondella	washer	rondelle		
11	991256-0-00	1	supportino per leva	support for lever	support pour levier		
12	991255-0-00	1	leva	lever	levier		
13	991257-0-00	1	perno	pin	pivot		
14	720546-0-00	2	vite	screw	vis		
15	901255-2-00	1	staffa	bracket	bride		
16	900204-0-10	1	bussola	bush	bague		
17	990982-0-00	4	ammortizzatore	shock absorber	amortisseur		
18	901253-0-00	4	vite	screw	vis		
19	991250-0-00	1	supporto testa	head support	support tête		
20	991252-4-00	1	supporto testa con viti	head support with screws	support tête avec vis		
21	700208-0-00	1	anello elastico	spring ring	anneau ressort		
22	743541-2-00	1	vite	screw	vis		
23	991259-3-00	1	tirante	tie-rod	tirant		
24	704310-2-00	1	rondella	washer	rondelle		
25	722907-2-00	2	vite	screw	vis		
26	990179-4-11	1	catenella	chain	chainette		
27	720464-0-00	2	vite	screw	vis		
28	704009-4-00	2	rondella	washer	rondelle		
29	990926-0-00	1	attacco	coupling	raccord		
30	733508-4-00	2	dado	nut	écrou		
31	900931-0-00	1	copertura	covering	couverture		
32	900918-0-00	2	anello elastico	spring ring	anneau ressort		
33	900927-0-00	1	molla	spring	ressort		
34	900928-0-00	1	perno	pin	pivot		
35	720505-4-00	2	vite	screw	vis		
36	900929-0-01	1	supporto	support	support		
37	900920-0-00	2	piastrina	plate	plaque		
38	720545-4-00	1	vite	screw	vis		
39	733510-4-00	3	dado	nut	écrou		
40	900925-4-01	1	pedalina completa	pedal assembly	pédale complète		
41	990689-2-00	1	convogliatore	conveyor	conveyeur		
42	721434-2-00	2	vite	screw	vis		
43	990674-0-00	1	canale scarico ritagli	offset	canal décharge-chutes		
44	704409-2-00	2	rondella	washer	rondelle		
45	721475-2-00	2	vite	screw	vis		
46	733008-2-00	4	dado	nut	écrou		

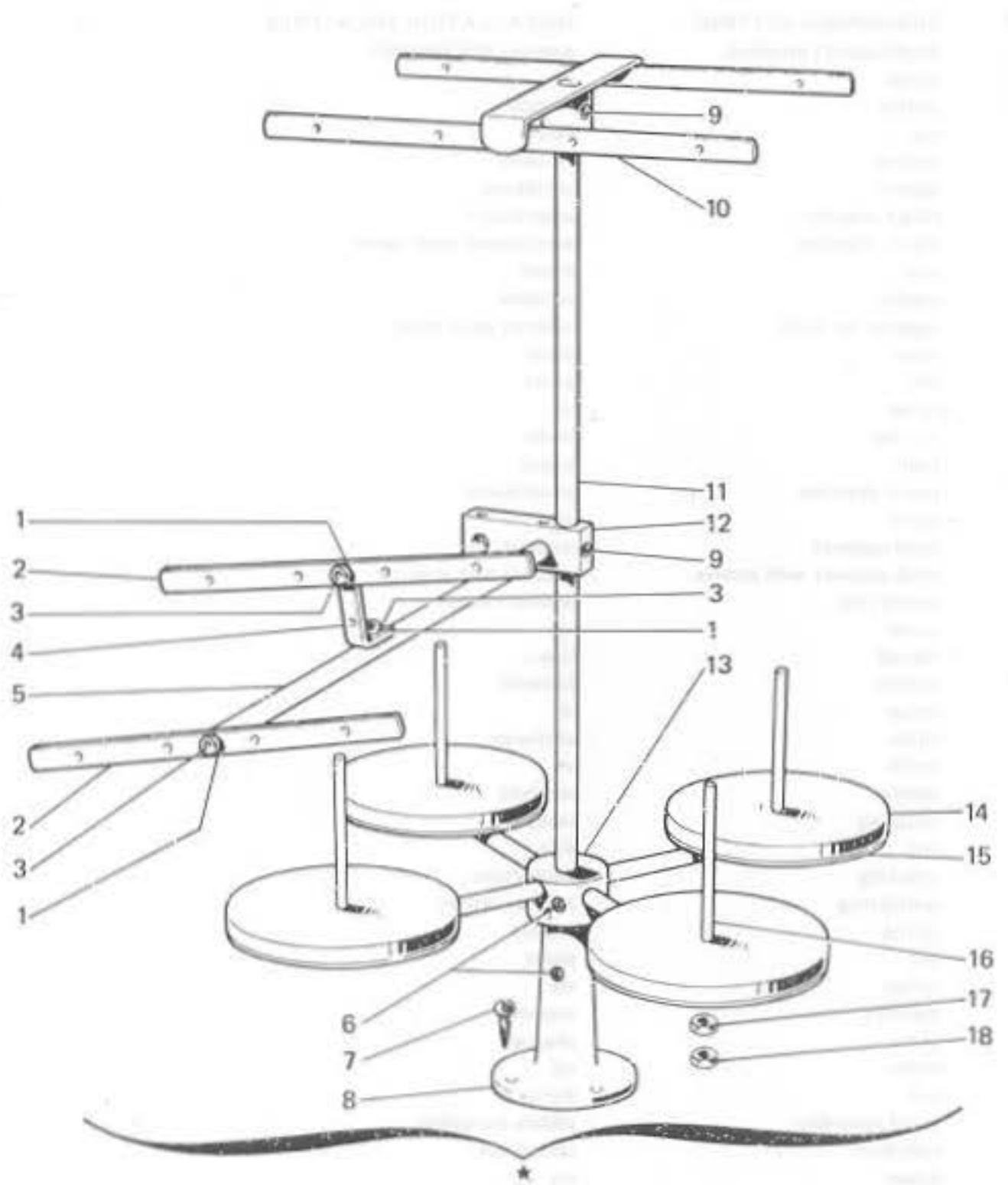


Fig. N. Abb. N.	Part. N. Piece N. Bestell N. Pieza N.	Qt. Anzahl	DESCRIZIONE	DESCRIPTION	DESCRIPTION	BENENNUNG	DESCRIPCION
★	991120-5-00	1	porta bobine compl.(4-3 fili)	bobbin carrier ass.(3-4 threads)	porte bobine compl. (4-3 fiis)		
1	703005-0-00	3	rondella	washer	rondelle		
2	991108-2-00	2	tubetto con bussole	frame with bushes	bâti avec bagues		
3	722431-2-00	3	vite	screw	vis		
4	991107-2-00	1	squadretta con viti e rondelle	bracket with screws and washers	équerre avec vis et rondelles		
5	991106-2-00	1	asta con rondelle e viti	rod with washers and screws	tige avec rondelles et vis		
6	729054-2-00	3	vite	screw	vis		
7	731107-2-00	3	vite	screw	vis		
8	991114-2-00	1	basetta	base	base		
9	729034-2-00	3	vite	screw	vis		
10	991121-3-00	1	telaietto superiore	upper frame	bâti supérieur		
11	991113-0-00	1	asta principale	main rod	tige principale		
12	991128-2-00	1	blocchetto con viti	block with screws	bloc avec vis		
13	991129-3-00	1	mozzo con aste e viti	hub with rod and screws	moyeu avec tiges et vis		
14	991179-0-00	4	disco	disc	disque		
15	991112-0-00	4	piatto	disc	plateau		
16	991111-2-00	4	astina con dadi	rod with nuts	tige avec écrous		
17	733508-2-00	4	dado	nut	écrou		
18	925433-0-00	4	dado	nut	écrou		

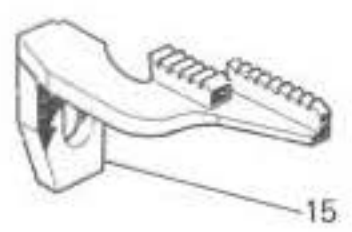
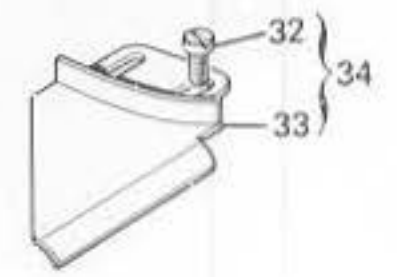
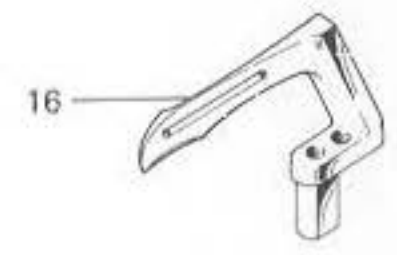
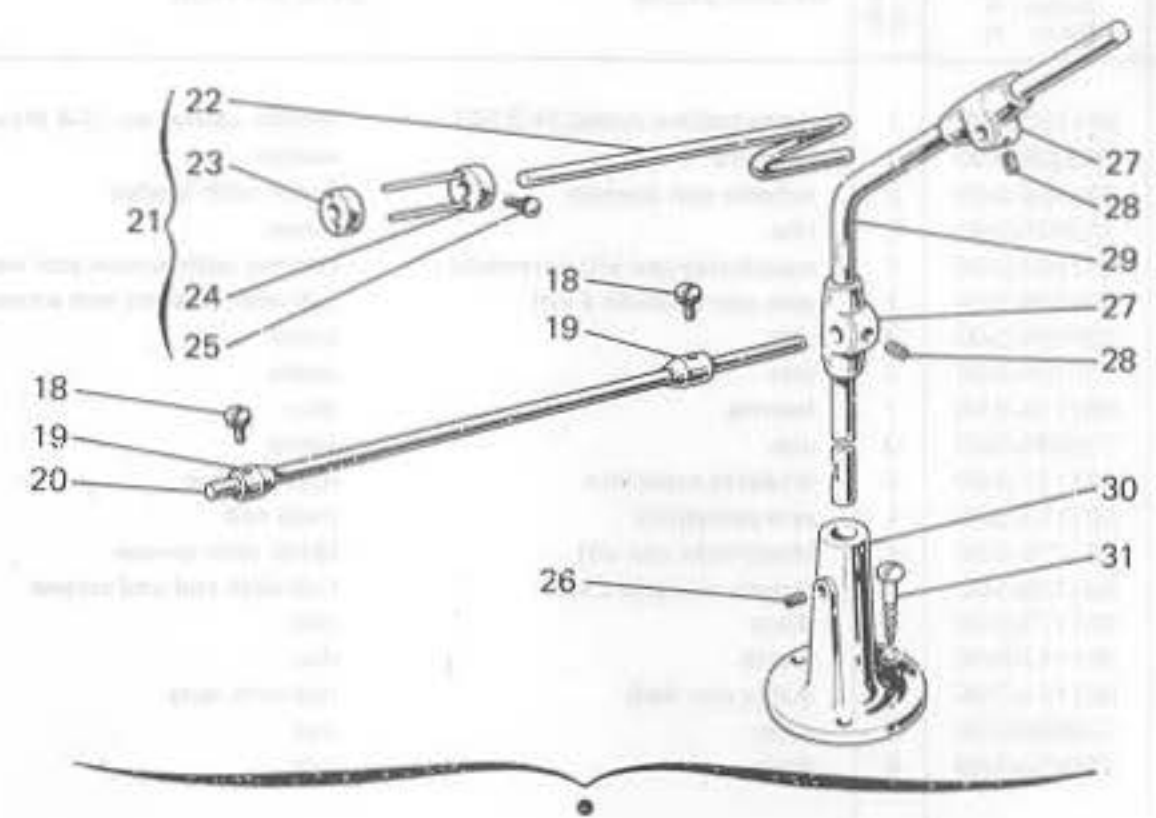
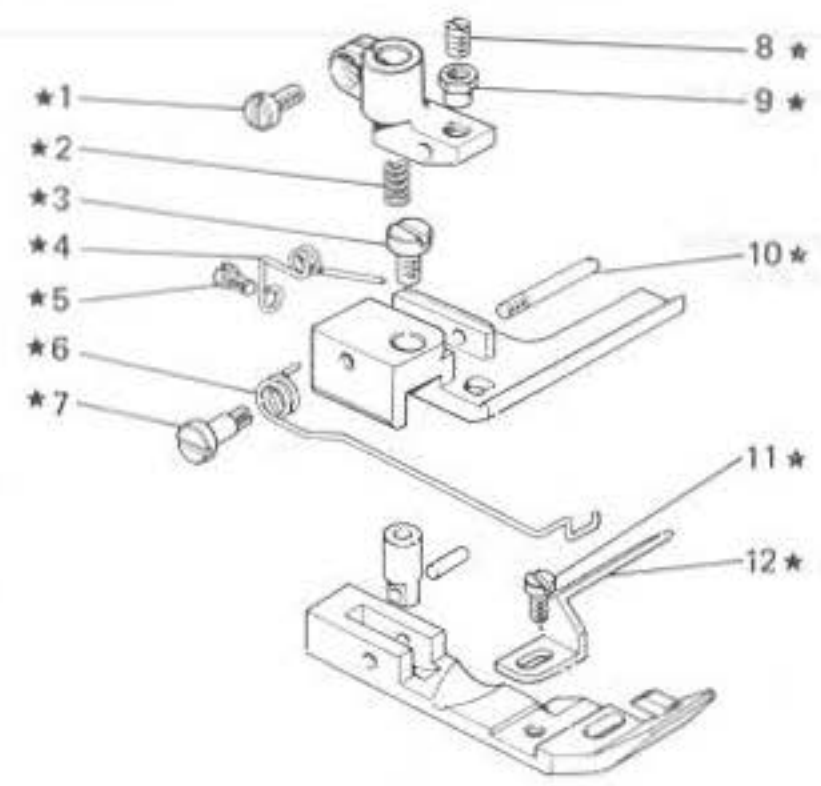


Fig. N. Abb. N.	Part. N. Bestell N. Piece N. Pieza N.	Qt. Anzahl	DESCRIZIONE	DESCRIPTION	DESCRIPTION	BENENNUNG	DESCRIPCION
★	304408-3-11	1	piedino completo	presserfoot assembly	pied presseur complet		
●	990709-4-12	1	porta rotolo completo	roll carrier assembly	porte rouleau complet		
1	741721-2-00	1	vite	screw	vis		
2	303052-0-00	1	molla	spring	ressort		
3	741414-2-00	1	vite	screw	vis		
4	300119-0-11	1	molla	spring	ressort		
5	721411-2-00	1	vite	screw	vis		
6	302821-0-10	1	molla	spring	ressort		
7	743134-2-00	1	vite	screw	vis		
8	301596-0-11	1	vite	screw	vis		
9	301598-0-11	1	dado	nut	écrou		
10	300120-0-10	1	spina filettata	pin	goupille		
11	741413-2-00	1	vite	screw	vis		
12	302773-0-11	1	guida	guide	guide		
13	302753-0-10	1	placca ago	needle plate	plaque aiguille		
14	302796-0-10	1	griffa principale	main feed dog	griffe principale		
15	302798-0-10	1	griffa differenziale	differential feed dog	griffe différentielle		
16	302057-0-11	1	crochet inferiore	lower looper	crochet inférieur		
17	780200-0-30	1	targhetta classe testa	head class plate	plaque classe tête		
18	990596-0-10	1	pomolo	knob	pommeau		
19	990594-2-00	2	anello di registro con pomolo	adjustment ring with knob	anneau de réglage avec pommeau		
20	990593-0-11	1	spina	pin	goupille		
21	990705-4-11	1	passa nastro	strap guide	guide pour bande		
22	990704-0-11	1	spina	pin	goupille		
23	990708-0-10	1	morsetto	clamp	collier de serrage		
24	990707-2-10	1	morsetto con spine	clamp with pins	collier de serrage avec goupilles		
25	930096-0-10	2	pomolo	knob	pommeau		
26	729054-2-00	1	vite	screw	vis		
27	991153-2-00	2	supporto con viti	support with screws	support avec vis		
28	729024-2-00	4	vite	screw	vis		
29	990703-0-11	1	asta	rod	tige		
30	991114-2-00	1	basetta con vite	base avec screw	base avec vis		
31	731107-2-00	3	vite da legno	screw	vis		
			SOLO A RICHIESTA	ONLY ON REQUEST	SEULEMENT SUR DEMANDE		
32	721434-2-00	2	vite	screw	vis		
33	302851-2-10	1	guida	guide	guide		
34	310040-4-00	1	guida con viti	guide with screws	guide avec vis		
	<u>TAV. 10</u>						
▲	309805-4-00	1	morsetto porta aghi compl.	needles clamp assembly	porte aiguilles complet		
26	309755-0-00	1	morsetto porta aghi	needles clamp	porte aiguilles		

Fig. N. Abb. N.	Part. N. Pezce N. Bestell N. Pieza N.	Qt. Anzahl	DESCRIZIONE	DESCRIPTION	DESCRIPTION	BENENNUNG	DESCRIPCION
★	930820-4-00	1	SOLO A RICHIESTA misuratore completo	ONLY ON REQUEST measurer assembly	SEULEMENT SUR DEMANDE régie complet		
1	744634-C-00	1	vite	screw	vis		
2	300710-0-10	1	rondella eccentrica	eccentric washer	rondelle excentrique		
3	722443-2-00	2	vite	screw	vis		
4	930819-2-00	1	supporto	support	support		
5	930075-0-10	2	pomolo	knob	pommeau		
6	930072-2-10	2	cursore	slider	courseur		
7	930824-0-00	1	rondella	washer	rondelle		
8	930821-2-00	1	asta centimetrata	rod	tige		
9	702415-0-00	2	molla a tazza	cup spring	ressort à tasse		
10	704010-2-00	1	rondella	washer	rondelle		
11	746206-2-00	2	dado	nut	écrou		
12	731263-0-00	2	vite da legno	screw	vis		
13	990213-0-10	1	asta centimetrata	rod	tige		
14	704206-0-00	4	rondella	washer	rondelle		
15	990214-4-11	1	misuratore completo	measurer assembly	régie complet		

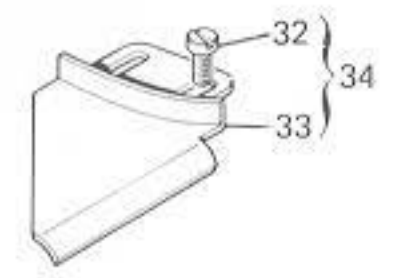
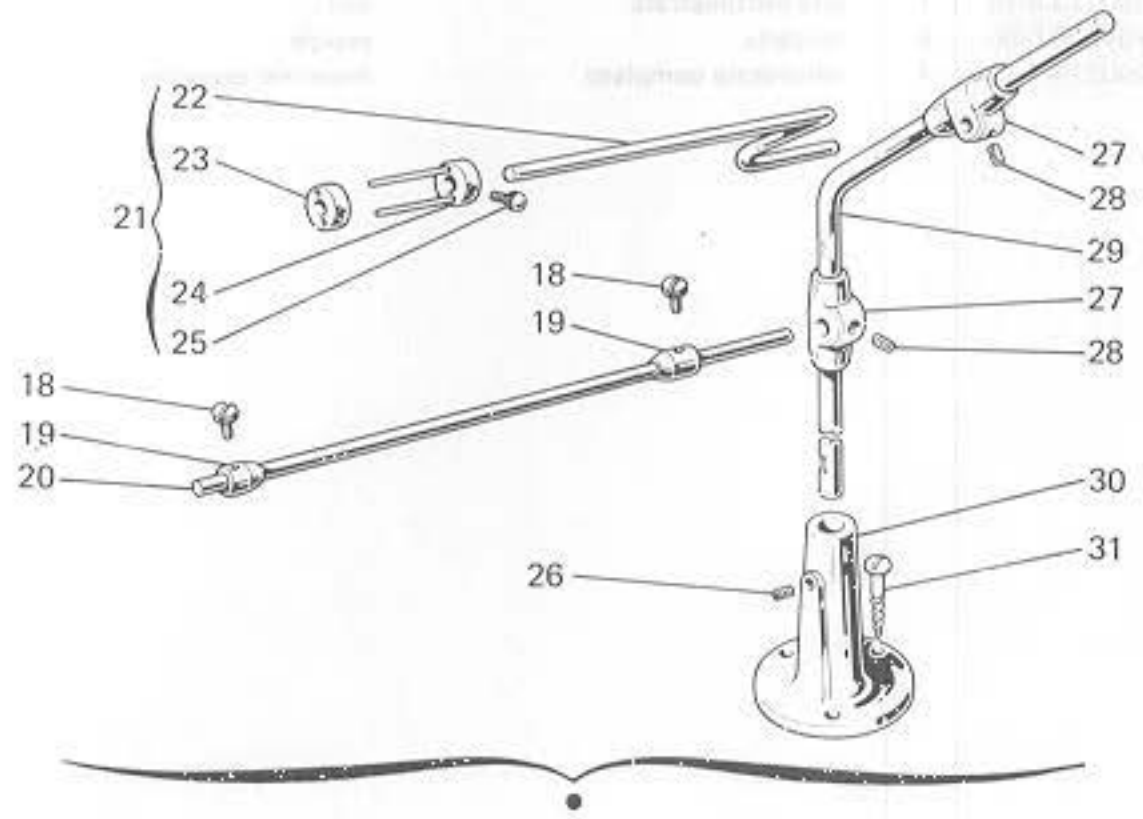
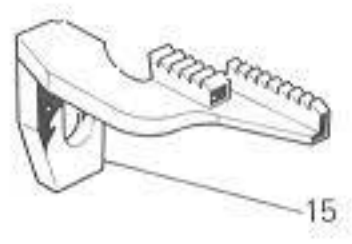
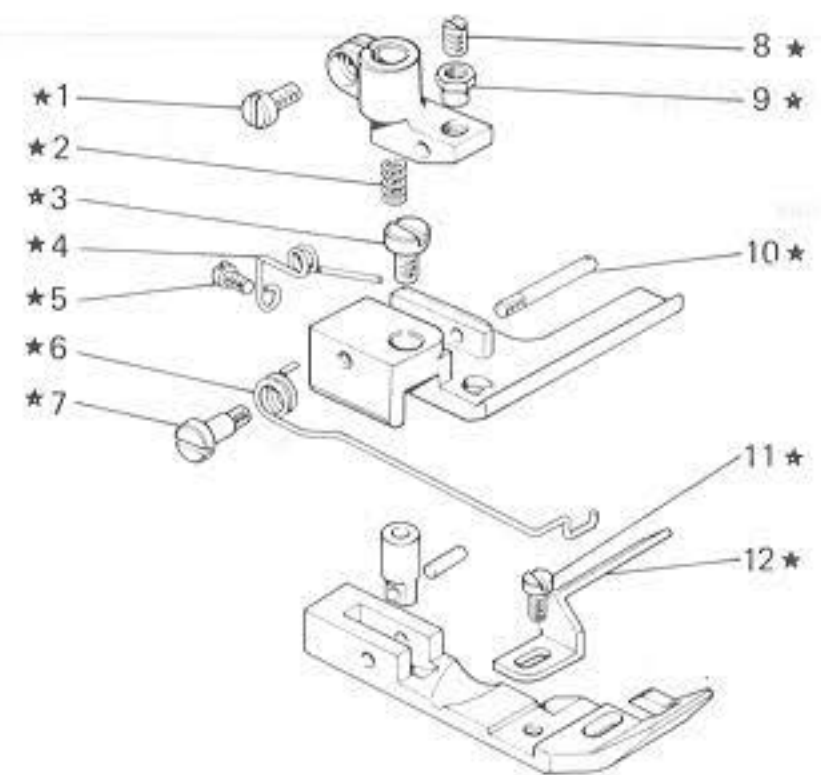


Fig. N. Abb. N.	Part. N. Bestell N. Piece N. Pieza N.	Qt. Anzahl	DESCRIZIONE	DESCRIPTION	DESCRIPTION	BENENNUNG	DESCRIPCION
★	304407-3-11	1	piedino completo	presserfoot assembly	pied-presseur complet		
●	990709-4-12	1	porta rotolo completo	roll carrier assembly	pied-presseur complet		
1	741721-2-00	1	vite	screw	vis		
2	303052-0-00	1	molla	spring	ressort		
3	741414-2-00	1	vite	screw	vis		
4	300119-0-11	1	molla	spring	ressort		
5	721411-2-00	1	vite	screw	vis		
6	302821-0-10	1	molla	spring	ressort		
7	743134-2-00	1	vite	screw	vis		
8	301596-0-11	1	vite	screw	vis		
9	301598-0-11	1	dado	nut	écrou		
10	300120-0-10	1	spina filettata	pin	goupille		
11	741413-2-00	1	vite	screw	vis		
12	302773-0-11	1	guida	guide	guide		
13	302754-0-10	1	piacca ago	needle plate	plaque aiguille		
14	302796-0-10	1	griffa principale	main feed dog	griffe principale		
15	302798-0-10	1	griffa differenziale	differential feed dog	griffe differentielle		
16	302057-0-11	1	crochet inferiore	lower looper	crochet inférieur		
17	784657-0-30	1	targhetta classe testa	head class plate	plaque classe tête		
18	990596-0-10	2	pomolo	knob	pommeau		
19	990594-2-00	2	anello di registro con pomolo	adjustment ring with knob	anneau de réglage avec pommeau		
20	990593-0-11	1	spina	pin	goupille		
21	990705-4-11	1	passa nastro	strap guide	guide pour bande		
22	990704-0-11	1	spina	pin	goupille		
23	990708-0-10	1	morsetto	clamp	collier de serrage		
24	990707-2-10	1	morsetto con spine	clamp with pins	collier de serrage avec goupilles		
25	930096-0-10	2	pomolo	knob	pommeau		
26	729054-2-00	1	vite	screw	vis		
27	991153-2-00	2	supporto con viti	support with screws	support avec vis		
28	729024-2-00	4	vite	screw	vis		
29	990703-0-11	1	asta	rod	tige		
30	991114-2-00	1	basetta con vite	base with screw	base avec vis		
31	731107-2-00	3	vite da legno	screw	vis		
32	721434-2-00	2	vite	screw	vis		
33	302851-2-10	1	guida	guide	guide		
34	310040-4-00	1	guida con viti	guide with screws	guide avec vis		
	<u>Tav.10</u>						
▲	309804-4-00	1	morsetto porta aghi compl.	needles clamp assembly	porte-aiguilles complet		
26	309754-0-00	1	morsetto porta aghi	needles clamp	porte-aiguilles		

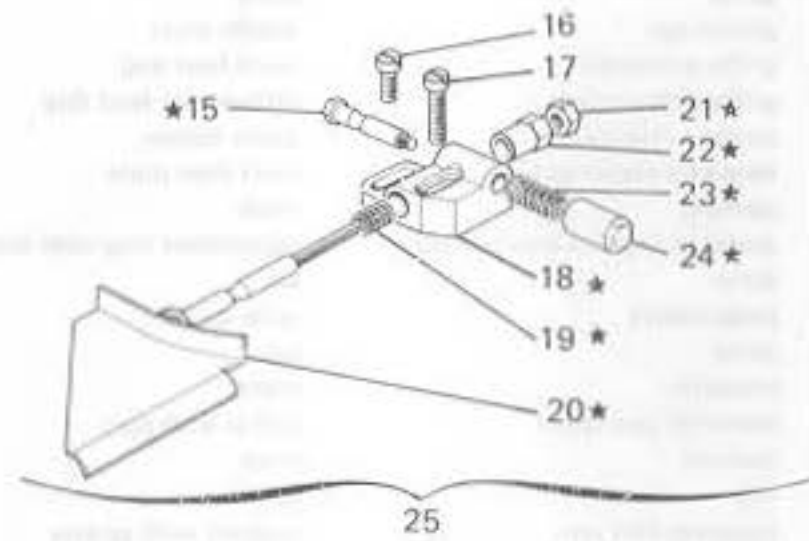
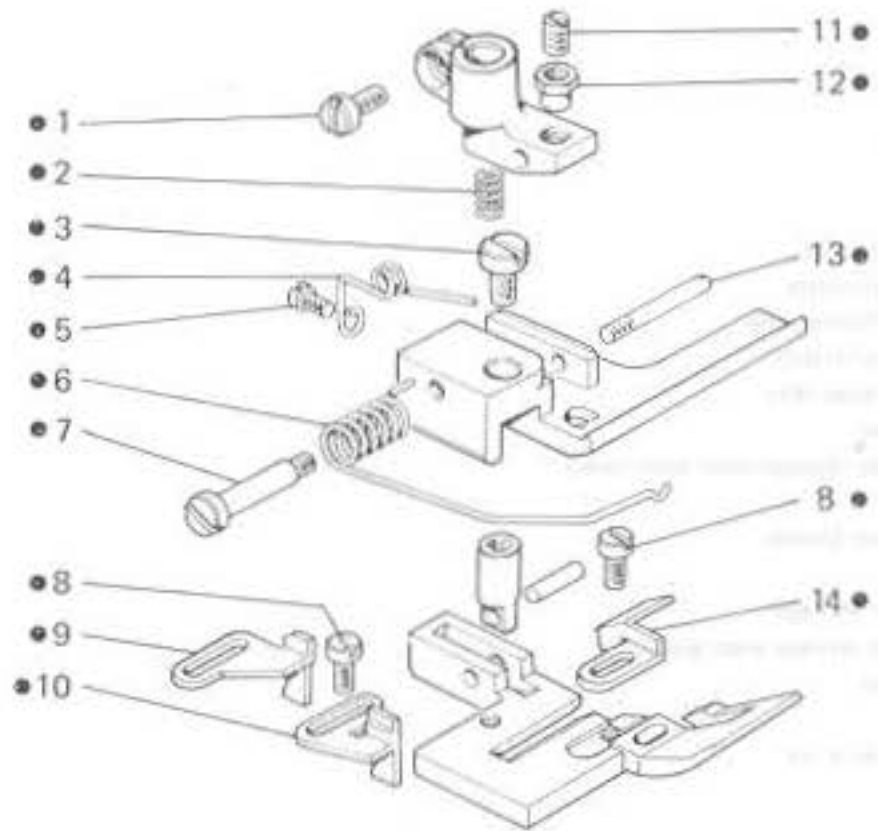


Fig. N. Abb. N.	Part. N. Bestell N. Piece N. Pieza N.	Qt. Anzahl	DESCRIZIONE	DESCRIPTION	DESCRIPTION	BENENNUNG	DESCRIPCION
●	302873-3-12	1	SOLO A RICHIESTA piedino completo	ONLY ON REQUEST presserfoot assembly	SEULEMENT SUR DEMANDE pied presseur complet		
★	302765-4-10	1	guida regolabile	guide	guide		
1	741721-2-00	1	vite	screw	vis		
2	303052-0-00	1	molla	spring	ressort		
3	741414-2-00	1	vite	screw	vis		
4	300119-0-11	1	molla	spring	ressort		
5	721411-2-00	1	vite	screw	vis		
6	302872-0-10	1	molla	spring	vis		
7	302870-0-10	1	vite	screw	vis		
8	741413-2-00	2	vite	screw	vis		
9	302883-0-00	1	guida pizzo	strap guide	guide pour bande		
10	302871-0-00	1	guida pizzo	strap guide	guide pour bande		
11	301596-0-11	1	vite	screw	vis		
12	301598-0-11	1	dado	nut	écrou		
13	300120-0-10	1	spina filettata	pin	goupille		
14	302876-0-10	1	guida elastico	elastic guide	guide élastique		
15	302762-0-10	1	perno	pin	pivot		
16	721474-2-00	1	vite	screw	vis		
17	721494-2-00	1	vite	screw	vis		
18	302768-0-10	1	blocchetto	block	bloc		
19	302766-0-10	1	molla	spring	ressort		
20	302764-2-10	1	guida	guide	guide		
21	746021-2-00	1	dado	nut	écrou		
22	302769-0-10	1	pomolo	knob	pommeau		
23	302767-0-10	1	molla	spring	ressort		
24	302770-0-10	1	pomolo	knob	pommeau		
25	310043-4-00	1	guida regolabile completa	guide assembly	guide complet		

Fig. N. Abb. N.	Part. N. Piece N. Bestell N. Pieza N.	Qt. Anzahl	DESCRIZIONE	DESCRIPTION	DESCRIPTION	BENENNUNG	DESCRIPCION
★	308103-4-10	1	coperchio superiore compl.	upper cover assembly	couvercle supérieur compl.		
1	309059-4-00	1	piano di lavoro compl.	working plate assembly	plan de travail complet		
2	309042-2-00	1	piano di lavoro	working plate	plan de travail		
3	309351-0-00	1	molla	spring	ressort		
4	704306-0-00	1	rondeila	washer	rondeile		
5	720411-2-00	1	vite	screw	vis		
6	309088-0-00	1	guarnizione	gasket	garniture		
7	309086-0-01	1	carter posteriore	rear cover	carter anrièrè		
8	309084-0-00	1	guarnizione	gasket	garniture		
9	309302-2-00	1	coperchio scorrevole	sliding cover	couvercle coulissant		
10	744636-2-00	5	vite	screw	vis		
11	302354-0-10	2	vite superiore	upper screw	vis supérieure		
12	308101-2-00	1	coperchio laterale	slide cover	couvercle latéral		
13	741088-2-00	3	vite per carter posteriore	screw for rear cover	vis pour carter arrièrè		
14	302353-0-10	2	vite inferiore	lower screw	vis inférieur		
15	309139-4-00	1	carter laterale completo	side cover assembly	carter latéral compiet		
16	309126-3-00	1	carter laterale	side cover	carter latéral		
17	309372-0-00	1	perno	pin	pivot		
18	309371-0-00	1	chiavistello	key	clé		
19	741658-2-00	1	vite	screw	vis		
20	308783-2-00	1	piastra porta placca	plate	plaque		
21	300483-0-10	8	vite per cerniera	screw for hinge	vis pour charnière		
22	302355-0-10	2	vite per piastra	screw for plate	vis pour plaque		
23	742282-2-00	6	vite per coperchio	screw for cover	vis pour couvercle		
24	300006-0-11	2	decalcomania	decalcomania	décalcomanie		
25	308128-0-00	1	guarnizione coperchio	cover gasket	garniture couvercle		
26	744730-0-00	2	vite per placca ago	screw for needle plate	vis pour plaque aiguille		
27	741925-2-00	2	vite	screw	vis		
28	309155-0-00	1	semicarter anteriore sinistro	front left cover	carter avant gauche		
29	788020-0-01	1	decalcomania sistema aghi	needles decalcomania	décalcomanie system aiguilles		
30	721474-2-00	1	vite	screw	vis		
31	309360-0-00	1	molla chiusura carter	spring	ressort		
32	309324-2-10	1	piastra superiore	upper plate	plaque supérieure		
33	741936-2-00	9	vite per piastra	screw for plate	vis pour plaque		
34	309323-0-00	1	guarnizione	gasket	garniture		
35	202239-0-10	1	cupolina	cup	coupole		
36	705970-0-00	1	guarnizione per cupolina	gasket	garniture		
37	308102-0-00	1	coperchio superiore	upper cover	couvercle supérieur		
38	308129-0-00	1	guarnizione per coperchio	gasket for cover	garniture pour couvercle		
39	744656-2-00	2	vite	screw	vis		
40	309229-0-00	1	piastra piano di lavoro	working plate	plaque plan de travail		
41	202165-0-10	2	vite per targhetta	screw for plate	vis pour plaquette		
42	309205-3-00	1	carter anteriore	front cover assembly	carter avant complet		
40	309249-0-00	1	SOLO A RICHIESTA piastra piano di lavoro	ONLY ON REQUEST plate	SEULEMENT SUR DEMANDE plaque plan de travail		

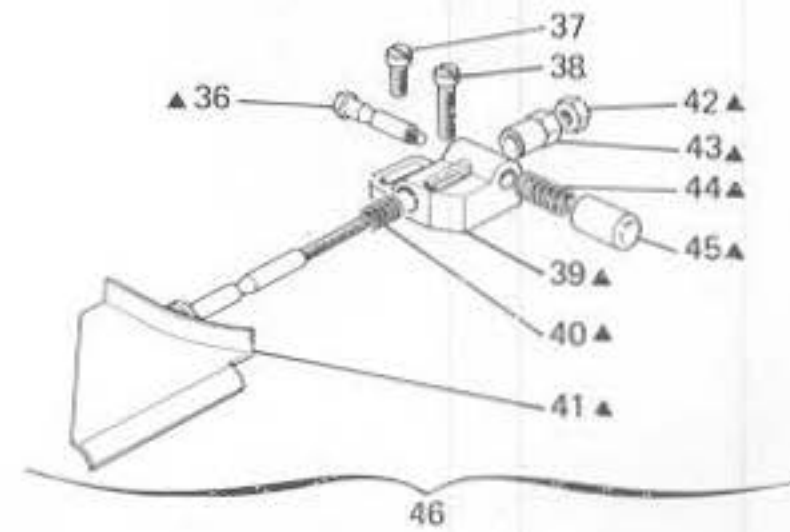
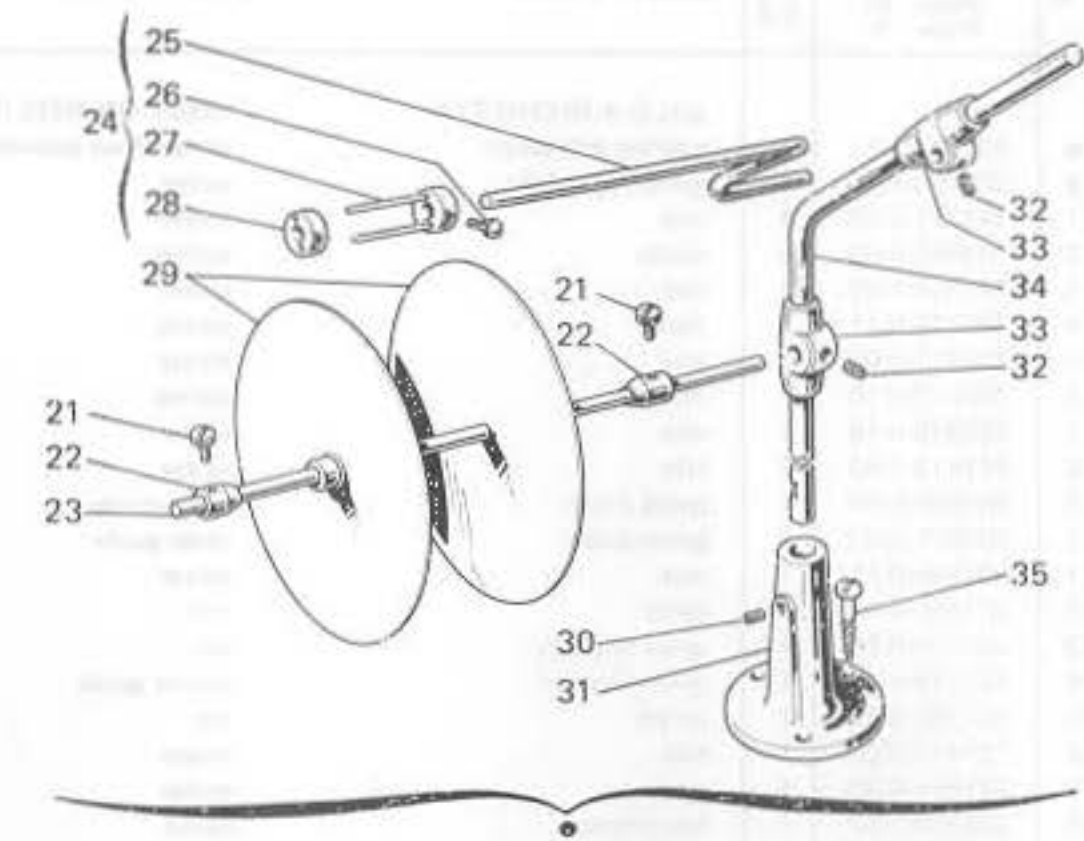
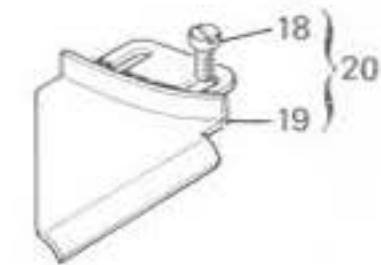
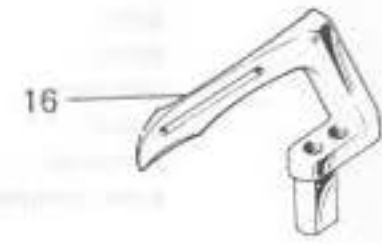
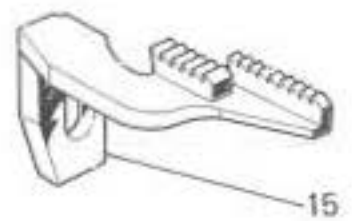
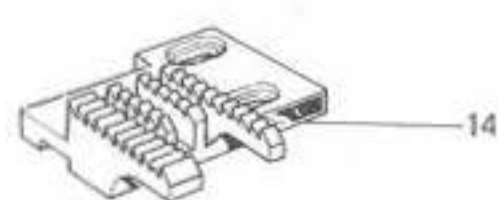
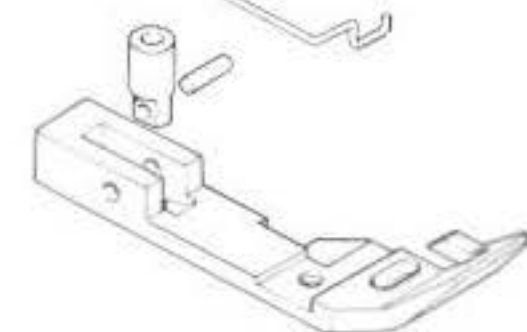
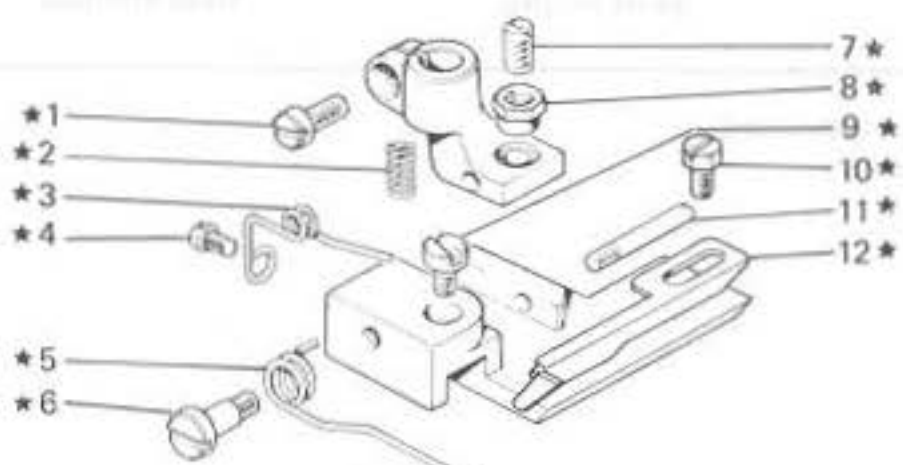


Fig. N. Abb. N.	Part. N. Bestell N. Piece N. Pieza N.	Qt. Anzahl	DESCRIZIONE	DESCRIPTION	DESCRIPTION	BENENNUNG	DESCRIPCION
★	304488-3-11	1	pedino completo	presserfoot assembly	ped presseur complet		
●	991325-4-00	1	porta rotolo completo	roll carrier assembly	porte-rouleau complet		
1	741721-2-00	1	vite	screw	vis		
2	303052-0-00	1	molla	spring	ressort		
3	300119-0-11	1	molla	spring	ressort		
4	721411-2-00	1	vite	screw	vis		
5	302821-0-10	1	molla	spring	ressort		
6	743134-2-00	1	vite	screw	vis		
7	301596-0-11	1	vite	screw	vis		
8	301598-0-11	1	dado	nut	écrou		
9	741414-2-00	1	vite	screw	vis		
10	203658-0-10	1	vite	screw	vis		
11	300120-0-10	1	spina filettata	pin	goupille		
12	304411-0-11	1	guida	guide	guide		
13	302810-0-10	1	piacca ago	needle plate	plaque aiguille		
14	302795-0-10	1	griffa principale	main feed dog	griffe principale		
15	302797-0-10	1	griffa differenziale	differential feed dog	griffe différentielle		
16	302057-0-11	1	crochet inferiore	lower looper	crochet inférieur		
17	780200-0-30	1	targhetta classe testa	head class plate	plaque classe tête		
18	721434-2-00	2	vite	screw	vis		
19	302851-2-10	1	guida	guide	guide		
20	310040-4-00	1	guida con viti	guide with screws	guide avec vis		
21	990596-0-10	2	pomolo	knob	pommeau		
22	990594-2-00	2	anello di registro con pomolo	adjustment ring with knob	anneau de réglage avec pommeau		
23	990593-0-11	1	spina	pin	goupille		
24	990705-4-11	1	passa nastro	strap guide	guide pour bande		
25	990704-0-11	1	spina	pin	goupille		
26	990708-0-10	1	morsetto	clamp	collier de serrage		
27	990707-2-10	1	morsetto con spine	clamp with pins	collier de serrage avec goupilles		
28	930096-0-10	2	pomolo	knob	pommeau		
29	990612-2-10	2	disco	disc	disque		
30	729054-2-00	1	vite	screw	vis		
31	991114-2-00	1	basetta con vite	base with screw	base avec vis		
32	729024-2-00	4	vite	screw	vis		
33	991153-2-00	2	supporto con viti	support with screws	support avec vis		
34	990703-0-11	1	asta	rod	tige		
35	731107-2-00	3	vite da legno	screw	vis		
			SOLO A RICHIESTA	ONLY ON REQUEST	SEULEMENT SUR DEMANDE		
▲	302765-4-10	1	guida regolabile	guide	guide		
13	302739-0-00	1	piacca ago	needle plate	plaque aiguille		
36	302762-0-10	1	perno	pin	pivot		
37	721474-2-00	1	vite	screw	vis		
38	721494-2-00	1	vite	screw	vis		
39	302768-0-10	1	blocchetto	block	bloc		
40	302766-0-10	1	molla	spring	ressort		
41	302764-2-10	1	guida	guide	guide		
42	746021-2-00	1	dado	nut	écrou		
43	302769-0-10	1	pomolo	knob	pommeau		

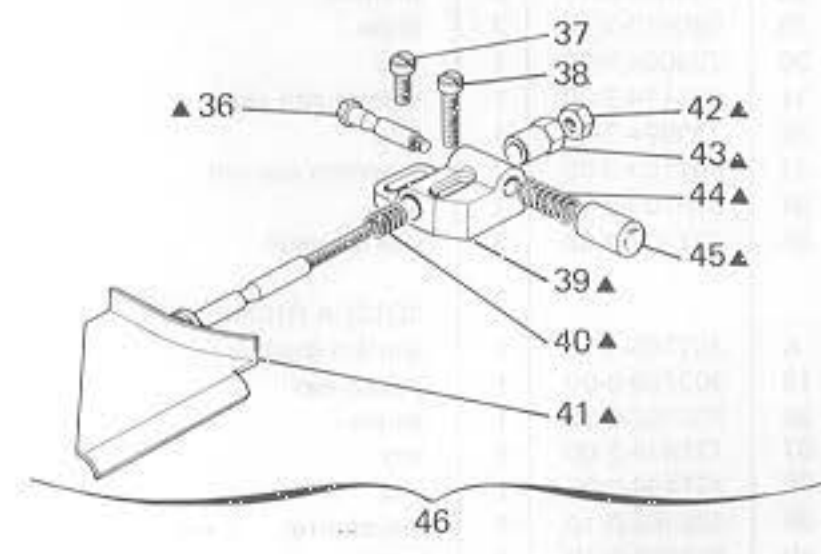
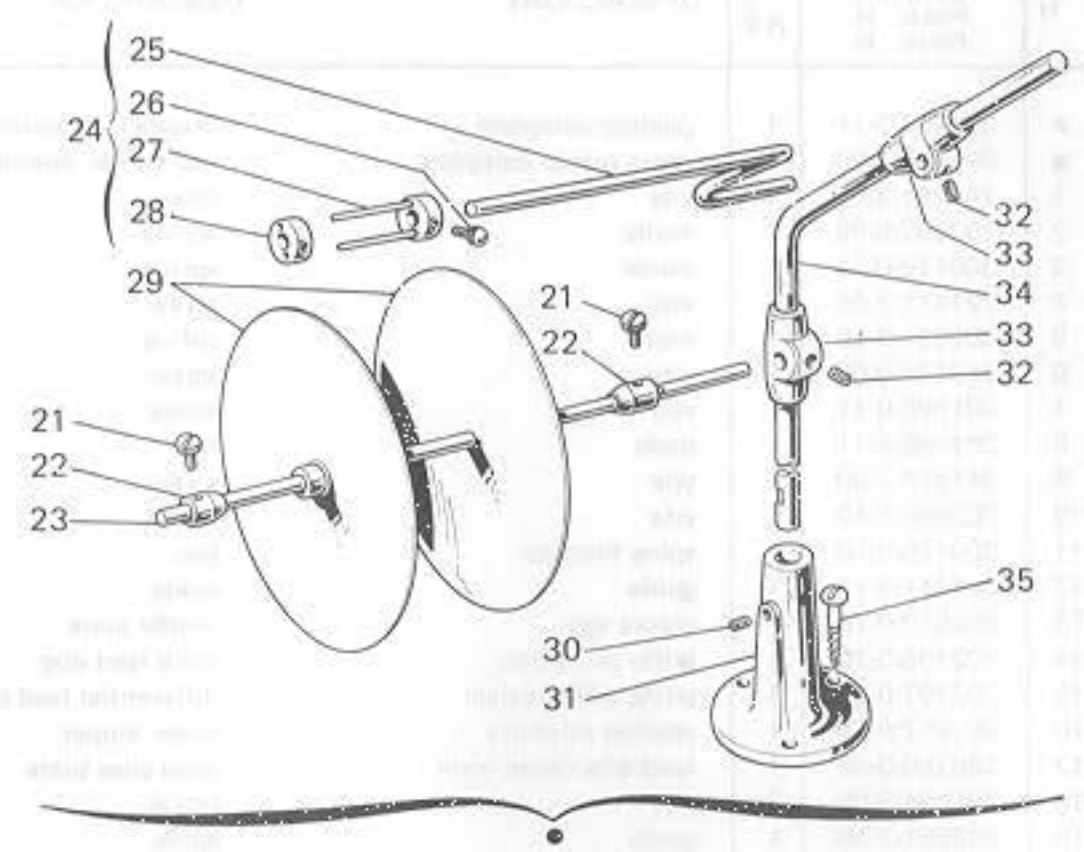
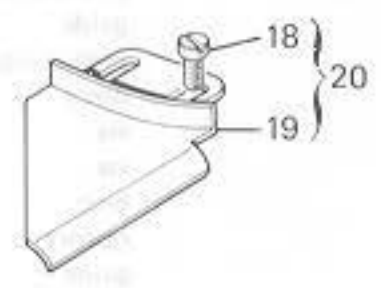
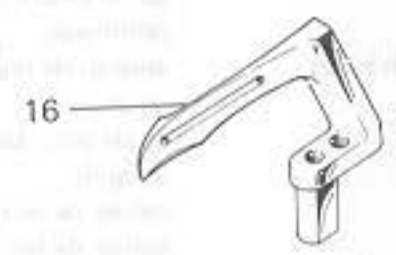
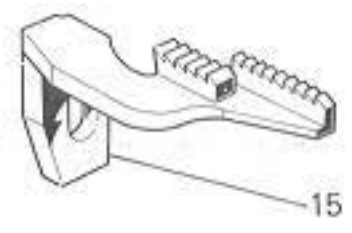
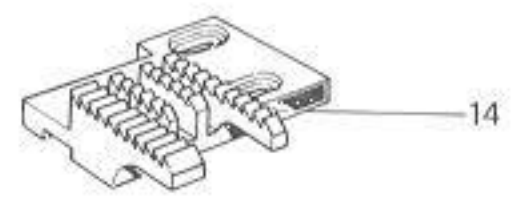
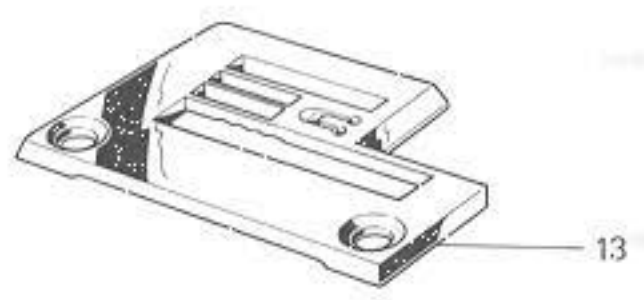
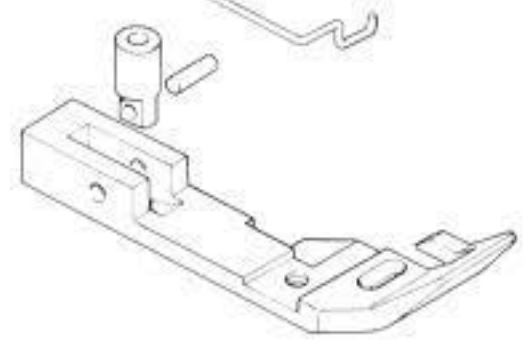
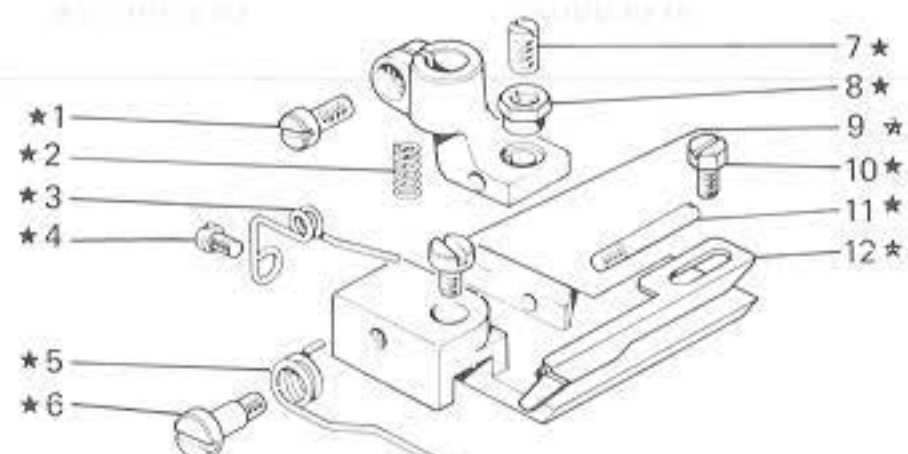


Fig. N. Abb. N.	Part. N. Piece N. Bestell N. Pieza N.	Qt. Anzahl	DESCRIZIONE	DESCRIPTION	DESCRIPTION	BENENNUNG	DESCRIPCION
44	302767-0-10	1	molla	spring	ressort		
45	302770-0-10	1	pomolo	knob	pommeau		
46	310043-4-00	1	guida regolabile completa	guide assembly	guide complet		
45	<u>Tav. 4</u> 302842-0-10	1	squadretta	bracket	équerre		
▲ 26	<u>Tav. 10</u> 309806-4-00 309756-2-00	1 1	morsetto porta aghi completo morsetto porta aghi	needles clamp assembly needles clamp	porte-aiguilles complet porte-aiguilles		

Fig. N. Abb. N.	Part. N. Pezze N. Bestell N. Pieza N.	Qt. Anzahl	DESCRIZIONE	DESCRIPTION	DESCRIPTION	BENENNUNG	DESCRIPCION
	<u>Tav. 4</u>						
45	302842-0-10	1	squadretta	bracket	équerre		
■	309573-4-00	1	SOLO A RICHIESTA gruppo salva ago	ONLY ON REQUEST rear needle guard assembly	SEULEMENT SUR DEMANDE protège-aiguille complet		
62	305171-0-00	1	salva ago	rear needle guard	protège-aiguille		
	<u>Tav. 10</u>						
▲	309800-4-00	1	morsetto porta aghi comp.	needles clamp assembly	porte-aiguilles complet		
26	309751-2-00	1	morsetto porta aghi	needles clamp	porte-aiguilles		
27	745810-2-00	3	vite	screw	vis		
28	766000-6-90	3	ago sist.RIM 63 fin. 90	needle syst.RIM 63 size 90	aiguille syst.RIM 63 jauge 90		
45	309770-0-00	1	passafilo	thread guide	passe-fil		
	<u>Tav. 15</u>						
★	308531-4-00	1	gruppo tensioni	tensions assembly	groupe tensions		
20	308506-0-00	4	pernetto	pin	pivot		
21	308501-0-01	4	passafilo	thread guide	passe-fil		
22	308503-0-01	4	guidafilo	thread guide	guide-fil		
25	308505-0-00	4	perno a vite	pin	pivot		
26	300218-0-10	8	disco tensione	tension disc	disque tension		
27	308507-0-00	4	rondella	washer	rondelle		
28	202556-0-00	4	scodellino	cup	cuvette		
29	200710-0-10	3	molla	spring	ressort		
30	202229-0-10	4	bussola superiore	upper bush	bague supérieure		
31	202558-2-00	4	pomolo	knob	pommeau		
33	308518-4-00	3	tensione sup.con molla fig.29	upper tension with spring fig.29	tension sup. avec ressort fig.29		

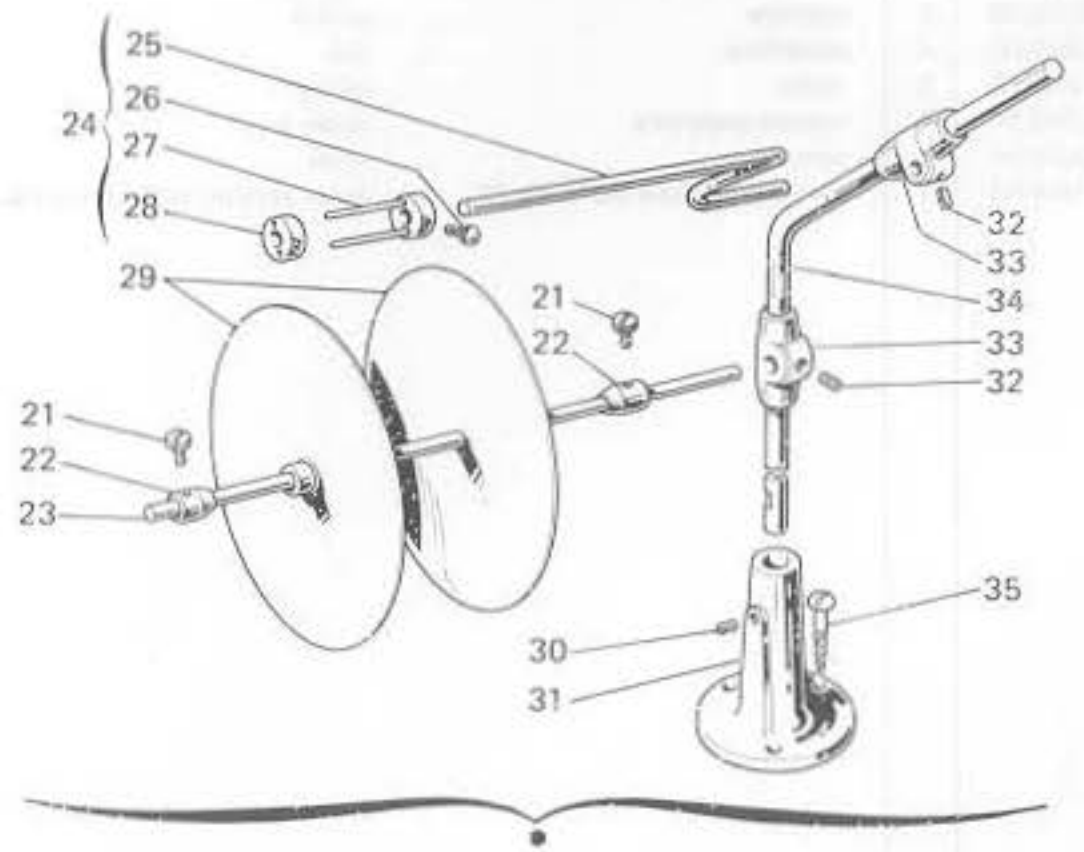
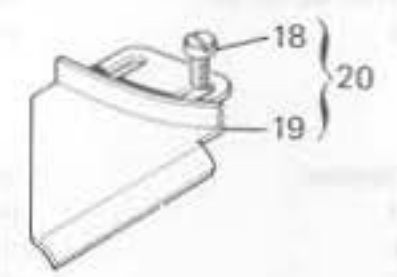
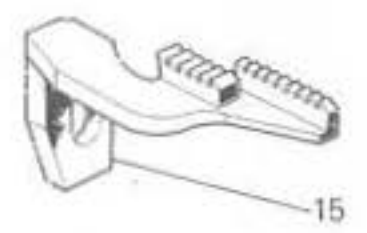
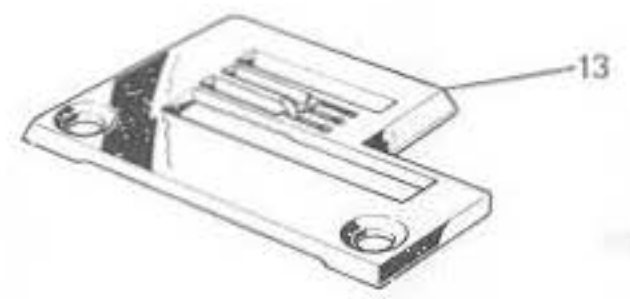
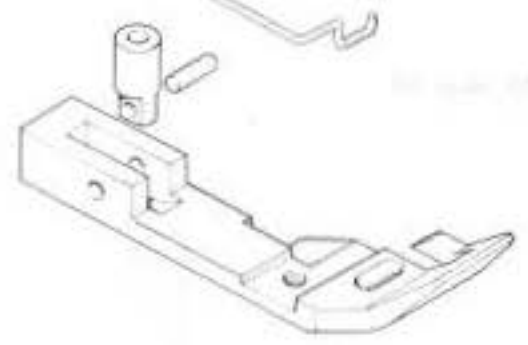
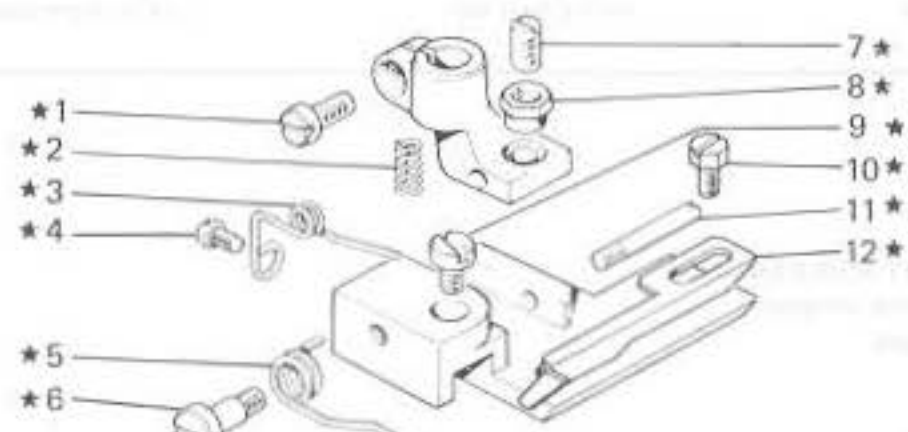


Fig. N. Abb. N.	Part. N. Piece N. Bestell N. Pieza N.	Qt. Anzahl	DESCRIZIONE	DESCRIPTION	DESCRIPTION	BENENNUNG	DESCRIPCION
★	304378-3-11	1	piedino completo	presserfoot assembly	piedpresseur complet		
●	991325-4-00	1	porta rotolo completo	roll carrier assembly	porte rouleau complet		
1	741721-2-00	1	vite	screw	vis		
2	303052-0-00	1	molla	spring	ressort		
3	300119-0-11	1	molla	spring	ressort		
4	721411-2-00	1	vite	screw	vis		
5	302821-0-10	1	molla	spring	ressort		
6	743134-2-00	1	vite	screw	vis		
7	301596-0-11	1	vite	screw	vis		
8	301598-0-11	1	dado	nut	écrou		
9	741414-2-00	1	vite	screw	vis		
10	203658-0-10	1	vite	screw	vis		
11	300120-0-10	1	spina filettata	pin	goupille		
12	304411-0-11	1	guida	guide	guide		
13	302735-0-10	1	placca ago	needle plate	plate aiguille		
14	302795-0-10	1	griffa principale	main feed dog	griffe principale		
15	302797-0-10	1	griffa differenziale	differential feed dog	griffe différentielle		
16	302057-0-11	1	crochet inferiore	lower looper	griffe inférieure		
17	780200-0-30	1	targhetta classe testa	head class plate	plaque classe tête		
18	721434-2-00	2	vite	screw	vis		
19	302851-2-10	1	guida	guide	guide		
20	310040-4-00	1	guida con viti	guide with screws	guide avec vis		
21	990596-0-10	2	pomolo	knob	pommeau		
22	990594-2-00	2	anello di registro con pomolo	adjustment ring with knob	anneau de réglage avec pommeau		
23	990593-0-11	1	spina	pin	goupille		
24	990705-4-11	1	passo nastro	strap guide	guide pour bande		
25	990704-0-11	1	spina	pin	goupille		
26	990708-0-10	1	morsetto	clamp	collier de serrage		
27	990707-2-10	1	morsetto con spine	clamp with pins	collier de serrage avec goupilles		
28	930096-0-10	2	pomolo	knob	pommeau		
29	990612-2-10	2	disco	disc	disque		
30	729054-2-00	1	vite	screw	vis		
31	991114-2-00	1	basetta con vite	base with screw	base avec vis		
32	729024-2-00	4	vite	screw	vis		
33	991153-2-00	2	supporto con viti	support with screws	support avec vis		
34	990703-0-11	1	asta	rod	tige		
35	731107-2-00	3	vite da legno	screw	vis		
13	302738-0-00	1	SOLO A RICHIESTA placca ago	ONLY ON REQUEST needle plate	SEULEMENT SUR DEMANDE plate aiguille		

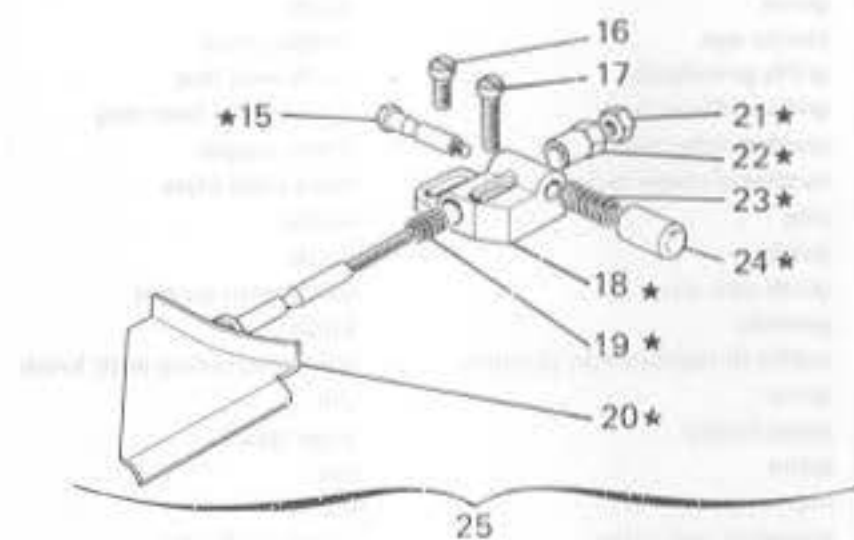
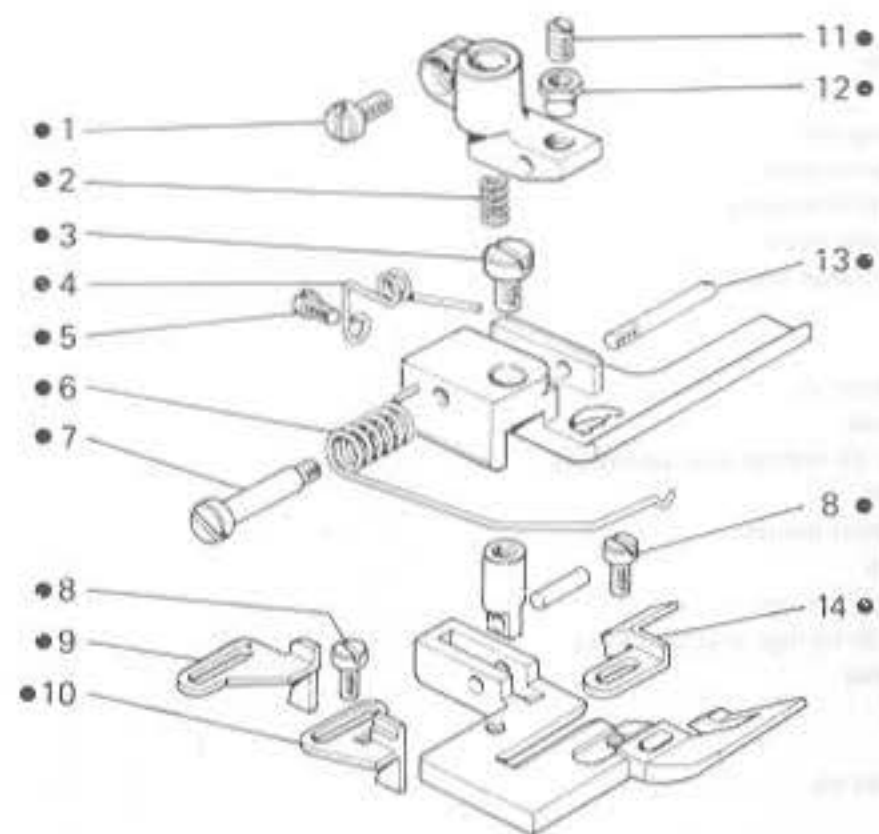
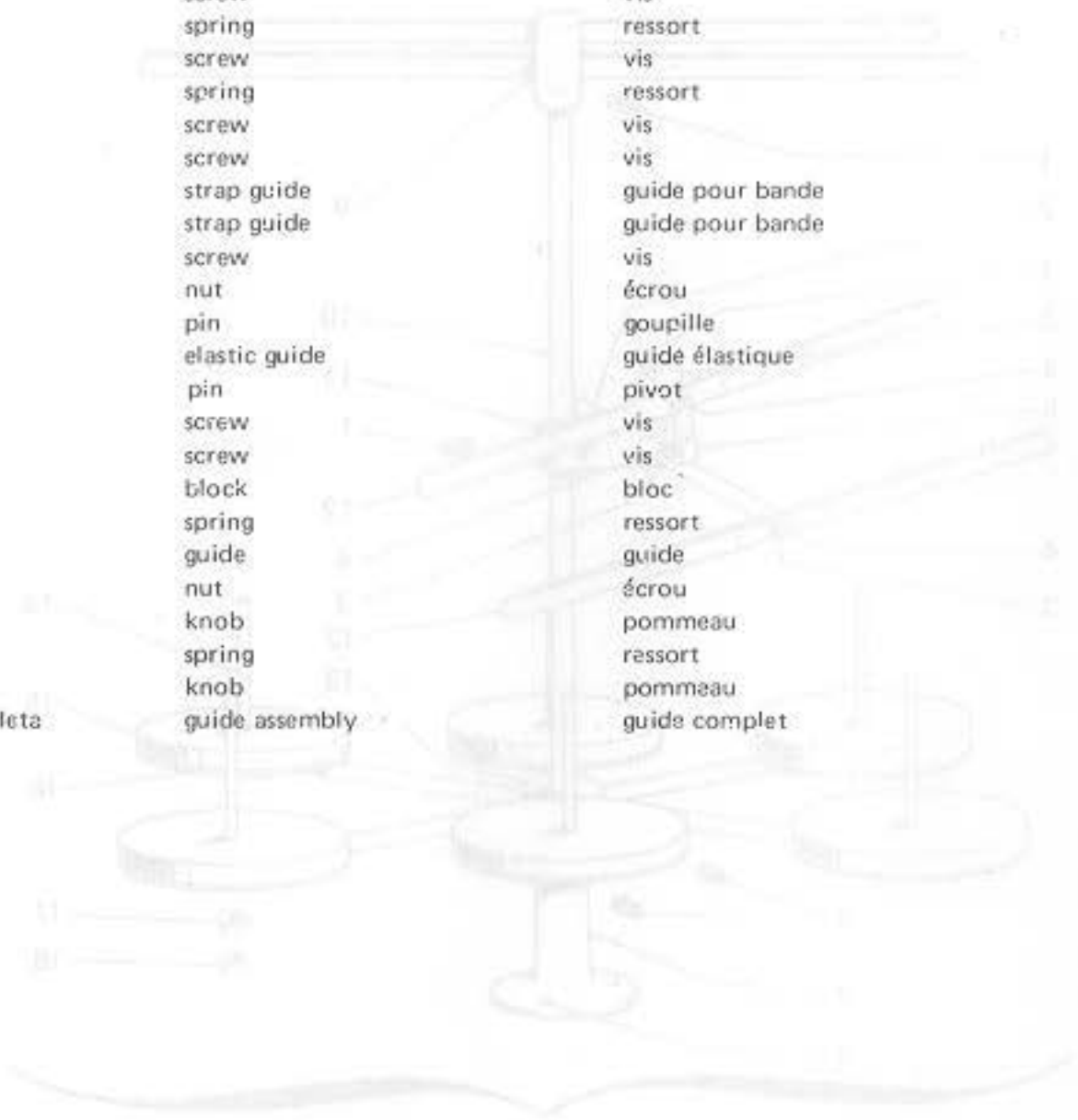
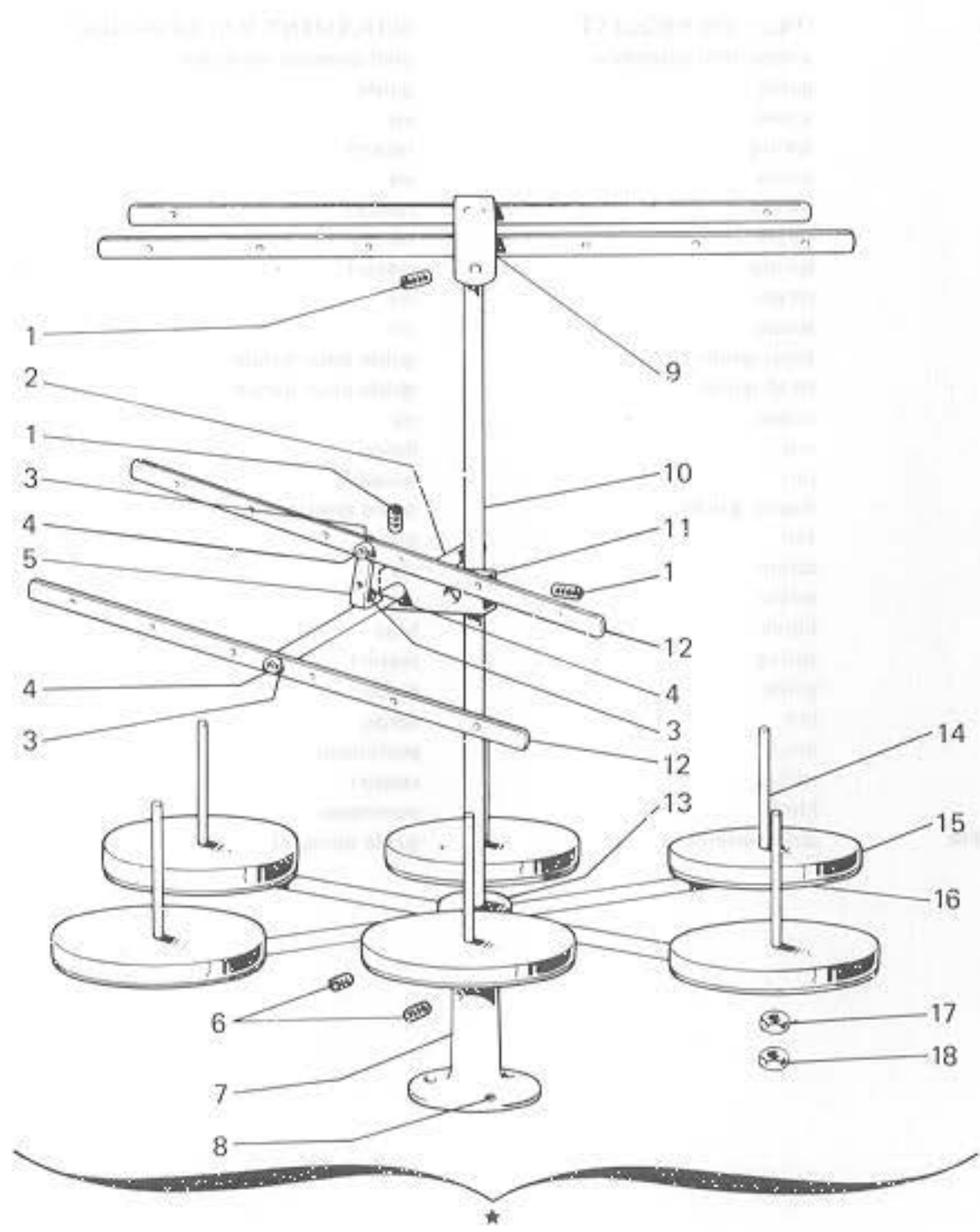


Fig. N. Abb. N.	Part. N. Bestell N. Pieca N. Pieza N.	Qt. Anzahl	DESCRIZIONE	DESCRIPTION	DESCRIPTION	BENENNUNG	DESCRIPCION
			SOLO A RICHIESTA	ONLY ON REQUEST	SEULEMENT SUR DEMANDE		
●	302882-3-02	1	pedino completo	presserfoot assembly	ped-presseur complet		
★	302765-4-10	1	guida regolabile	guide	guide		
1	741721-2-00	1	vite	screw	vis		
2	303052-0-00	1	molla	spring	ressort		
3	741414-2-00	1	vite	screw	vis		
4	300119-0-11	1	molla	spring	ressort		
5	721411-2-00	1	vite	screw	vis		
6	302872-0-10	1	molla	spring	ressort		
7	302870-0-10	1	vite	screw	vis		
8	741413-2-00	2	vite	screw	vis		
9	302883-0-00	1	guida pizzo	strap guide	guide pour bande		
10	302871-0-00	1	guida pizzo	strap guide	guide pour bande		
11	301596-0-11	1	vite	screw	vis		
12	301598-0-11	1	dado	nut	écrou		
13	300120-0-10	1	spina filettata	pin	goupille		
14	302877-0-10	1	guida elastico	elastic guide	guide élastique		
15	302762-0-10	1	perno	pin	pivot		
16	721474-2-00	1	vite	screw	vis		
17	721494-2-00	1	vite	screw	vis		
18	302768-0-10	1	blocchetto	block	bloc		
19	302766-0-10	1	molla	spring	ressort		
20	302764-2-10	1	guida	guide	guide		
21	746021-2-00	1	dado	nut	écrou		
22	302769-0-10	1	pomolo	knob	pommeau		
23	302767-0-10	1	molla	spring	ressort		
24	302770-0-10	1	pomolo	knob	pommeau		
25	310043-4-00	1	guida regolabile completa	guide assembly	guide complet		





QTY	DESCRIPTION	UNIT	QTY	DESCRIPTION	UNIT
1	SCREW	PC	1	SCREW	PC
2	SCREW	PC	1	SCREW	PC
3	SCREW	PC	1	SCREW	PC
4	SCREW	PC	1	SCREW	PC
5	SCREW	PC	1	SCREW	PC
6	SCREW	PC	1	SCREW	PC
7	SCREW	PC	1	SCREW	PC
8	SCREW	PC	1	SCREW	PC
9	SCREW	PC	1	SCREW	PC
10	SCREW	PC	1	SCREW	PC
11	SCREW	PC	1	SCREW	PC
12	SCREW	PC	1	SCREW	PC
13	SCREW	PC	1	SCREW	PC
14	SCREW	PC	1	SCREW	PC
15	SCREW	PC	1	SCREW	PC
16	SCREW	PC	1	SCREW	PC
17	SCREW	PC	1	SCREW	PC
18	SCREW	PC	1	SCREW	PC

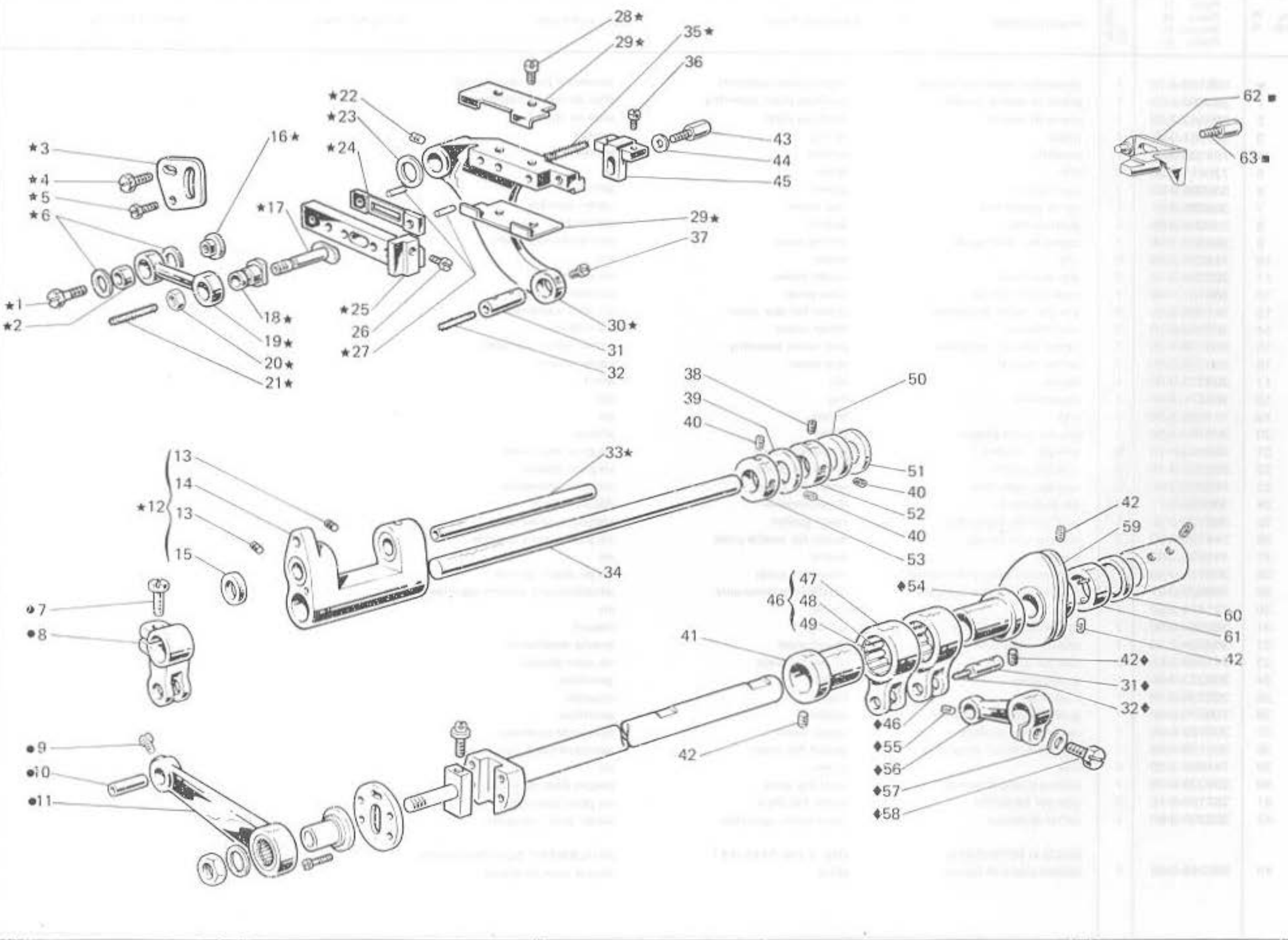


Fig. N. Abb. N.	Part. N. Bestell N. Piece N. Pieza N.	Qt. Anzahl	DESCRIZIONE	DESCRIPTION	DESCRIPTION	BENENNUNG	DESCRIPCION
★	991135-5-00	1	porta bobine compl.(5-6 fili)	bobbin carrier ass.(5-6 threads)	porte bobine compl.(5-6 fils)		
1	729034-2-00	4	vite	screw	vis		
2	991106-2-00	1	asta con rondella e vite	rod with washer and screw	tige avec rondelle et vis		
3	703005-0-00	3	rondella	washer	rondelle		
4	722431-2-00	3	vite	screw	vis		
5	991107-2-00	1	squadretta con viti e rond.	bracket with screws and washers	équerre avec vis et rondelles		
6	729054-2-00	4	vite	screw	vis		
7	991114-2-00	2	basetta con vite	base with screw	base avec vis		
8	731107-2-00	3	vite da legno	screw	vis		
9	991139-3-00	1	telaio super.compl.	upper frame assembly	bâti supérieur complet		
10	991113-0-00	1	aste principale	main rod	tige principale		
11	991128-2-00	1	blocchetto con viti	block with screws	bloc avec vis		
12	991137-2-00	2	telaio con bussole	frame with bushes	bâti avec bague		
13	991144-3-00	1	mozzo con aste e viti	hub with rods and screws	moyeu avec tiges et vis		
14	991111-2-00	6	astine con dadi	rod with nuts	petite tige avec écrou		
15	991179-0-00	6	disco	disc	disque		
16	991112-0-00	6	piatto	disc	plateau		
17	733508-2-00	6	dado	nut	écrou		
18	925433-0-00	6	dado	nut	écrou		

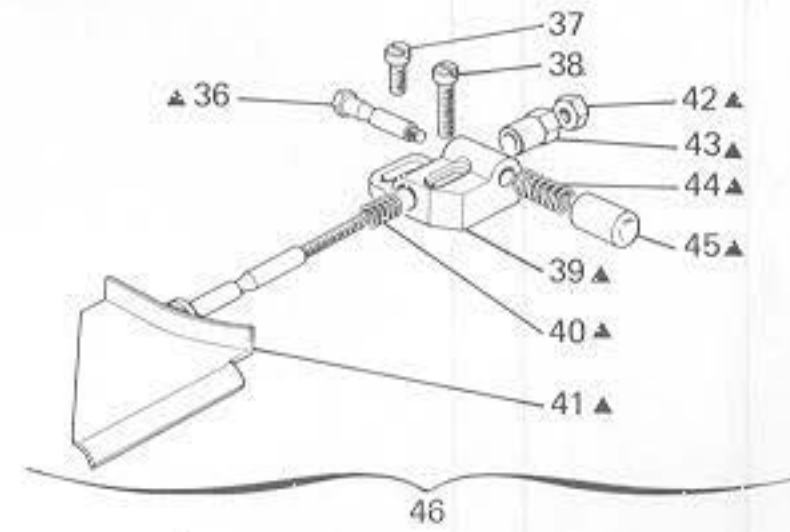
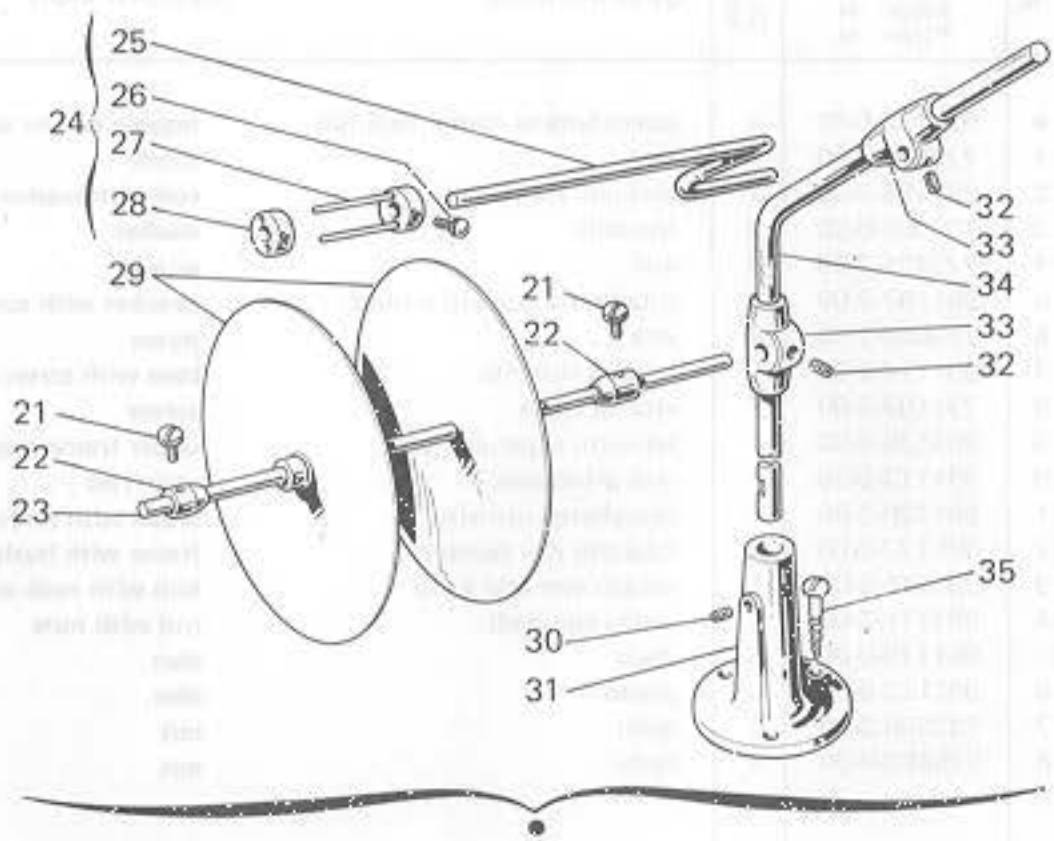
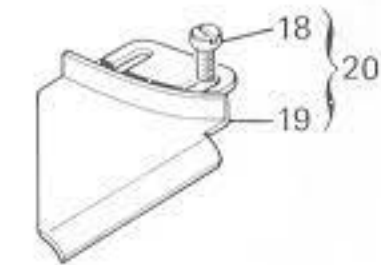
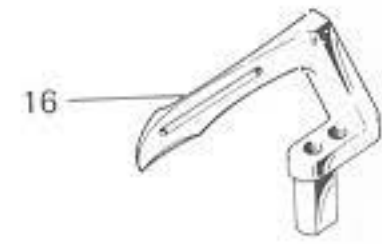
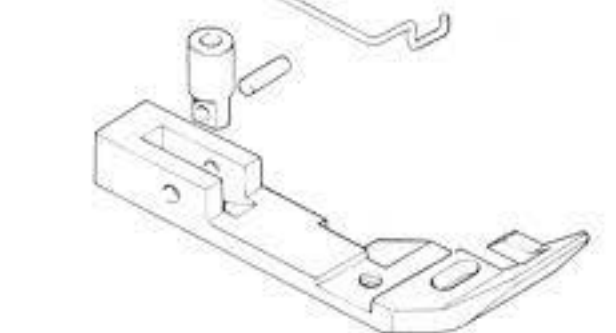
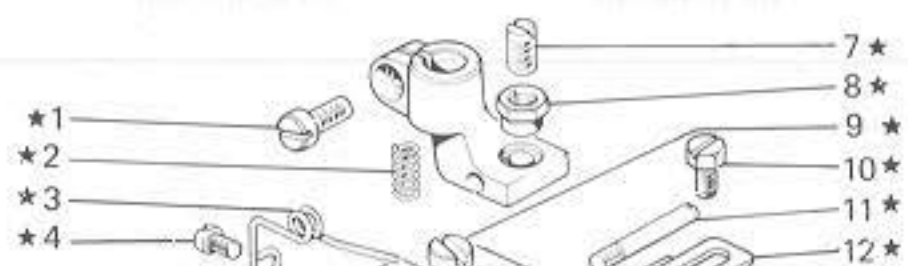


Fig. N. Abb. N.	Part. N. Bestell N. Piece N. Pieza N.	Qt. Anzahl	DESCRIZIONE	DESCRIPTION	DESCRIPTION	BENENNUNG	DESCRIPCION
★	304485-3-11	1	pedino completo	presserfoot assembly	ped-presseur complet		
●	991325-4-00	1	porta rotolo completo	roll carrier assembly	ped presseur complet		
1	741721-2-00	1	vite	screw	vis		
2	303052-0-00	1	molla	spring	ressort		
3	300119-0-11	1	molla	spring	ressort		
4	721411-2-00	1	vite	screw	vis		
5	302821-0-10	1	molla	spring	ressort		
6	743134-2-00	1	vite	screw	vis		
7	301596-0-11	1	vite	screw	vis		
8	301598-0-11	1	dado	nut	écrou		
9	741414-2-00	1	vite	screw	vis		
10	203658-0-10	1	vite	screw	vis		
11	300120-0-10	1	spina filettata	pin	goupille		
12	304411-0-11	1	guida	guide	guide		
13	302774-0-10	1	placca ago	needle plate	plaque aiguille		
14	302795-0-10	1	griffa principale	main feed dog	griffe principale		
15	302797-0-10	1	griffa differenziale	differential feed	griffe différentielle		
16	302057-0-11	1	crochet inferiore	lower looper	crochet inférieur		
17	780200-0-30	1	targhetta classe testa	head class plate	plaque classe tête		
18	721434-2-00	2	vite	screw	vis		
19	302251-2-10	1	guida	guide	guide		
20	310040-4-00	1	guida con viti	guide with screws	guide avec vis		
21	990596-0-10	2	pomolo	knob	pommeau		
22	990594-2-00	2	anello di registro con pomolo	adjustment ring with knob	anneau de réglage avec pommeau		
23	990593-0-11	1	spina	pin	goupille		
24	990705-4-11	1	passa nastro	strap guide	guide de bande		
25	990704-0-11	1	spina	pin	goupille		
26	990708-0-10	1	morsetto	clamp	collier de serrage		
27	990707-2-10	1	morsetto con spine	clamp with pin	collier de serrage avec goupille		
28	930096-0-10	2	pomolo	knob	pommeau		
29	990612-2-10	2	disco	disc	disque		
30	729054-2-00	1	vite	screw	vis		
31	991114-2-00	1	basetta con vite	base with screw	base avec vis		
32	729024-2-00	4	vite	screw	vis		
33	991153-2-00	2	supporto con viti	support with screws	support avec vis		
34	990703-0-11	1	asta	rod	tige		
35	731107-2-00	3	vite da legno	screw	vis		
			SOLO A RICHIESTA	ONLY ON REQUEST	SEULEMENT SUR DEMANDE		
▲	302765-4-10	1	guida regolabile	guide	guide		
13	302739-0-00	1	placca ago	needle plate	plaque aiguille		
36	302762-0-10	1	perno	pin	pivot		
37	721474-2-00	1	vite	screw	vis		
38	721494-2-00	1	vite	screw	vis		
39	302768-0-10	1	blocchetto	block	bloc		
40	302766-0-10	1	molla	spring	ressort		
41	302764-2-10	1	guida	guide	guide		
42	746021-2-00	1	dado	nut	écrou		
43	302769-0-10	1	pomolo	knob	pommeau		

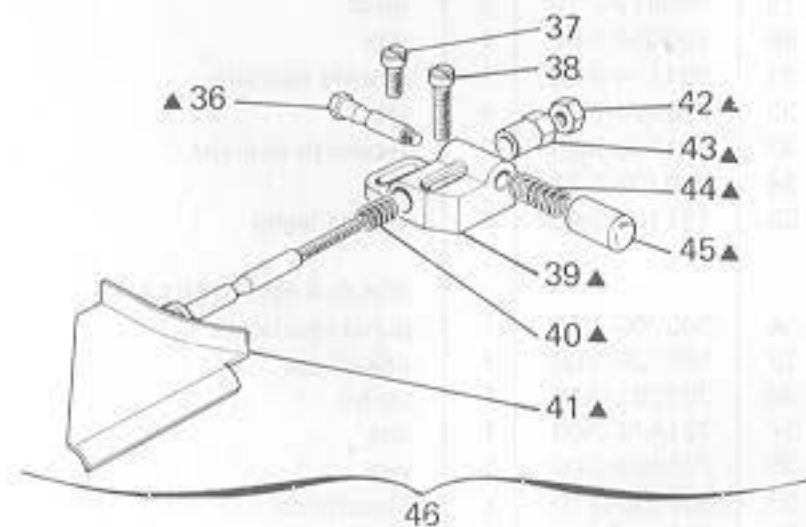
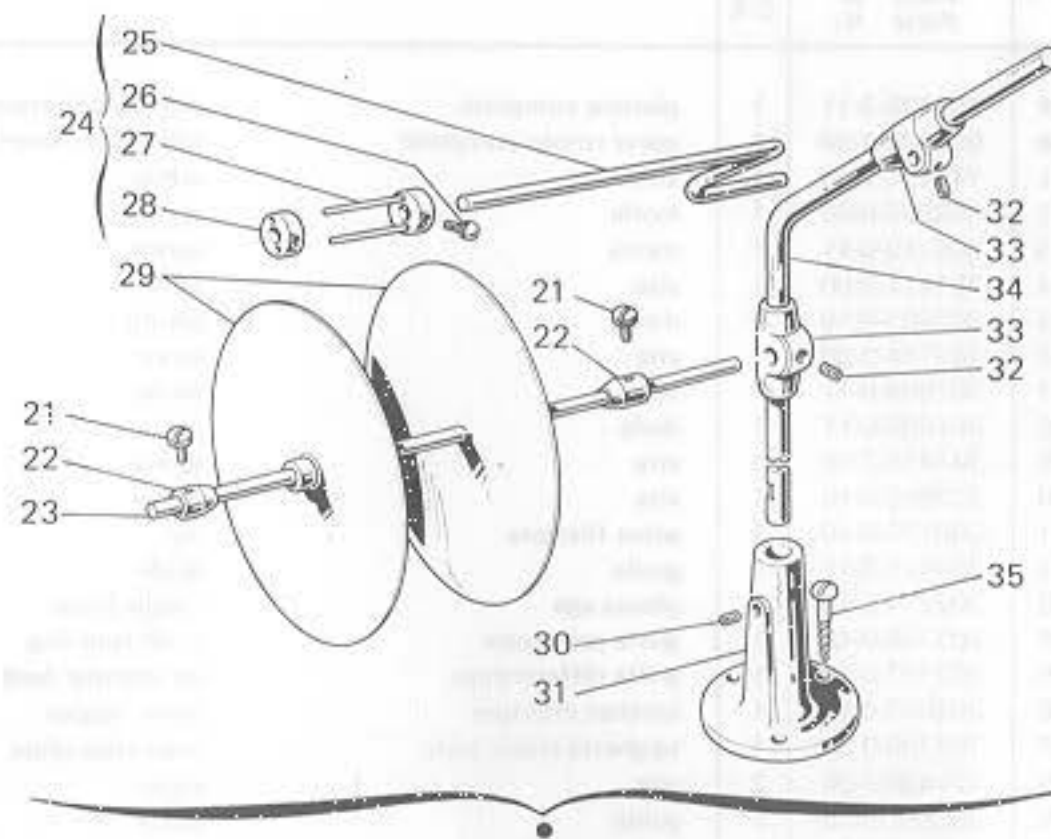
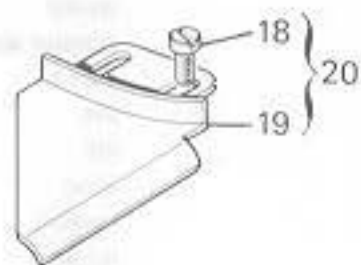
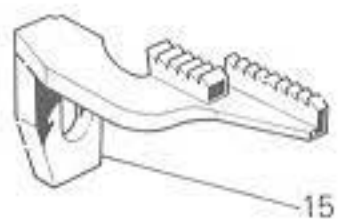
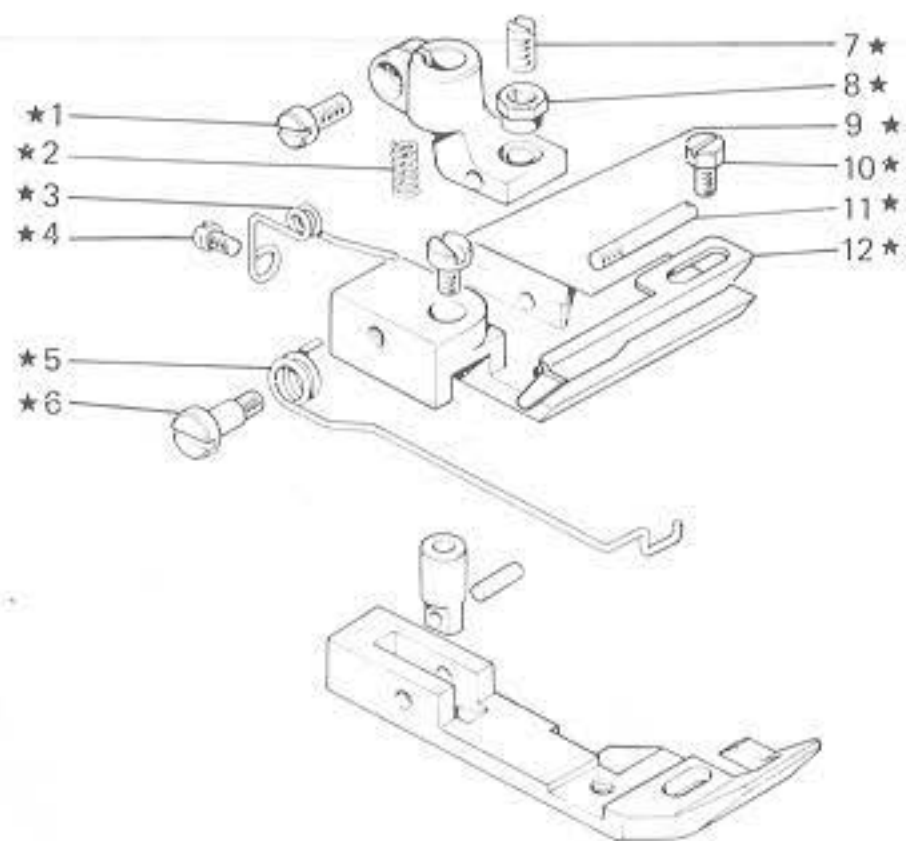



Fig. N. Abb. N.	Part. N. Piece N. Bestell N. Pieza N.	Qt. Anzahl	DESCRIZIONE	DESCRIPTION	DESCRIPTION	BENENNUNG	DESCRIPCION
44	302767-0-10	1	molla	spring	ressort		
45	302770-0-10	1	pomolo	knob	pommeau		
46	310043-4-00	1	guida regolabile completa	guide assembly	guide complet		
							
Tav. 4							
45	302842-0-10	1	squadretta	bracket	équerre		
SOLO A RICHIESTA ONLY ON REQUEST SEULEMENT SUR DEMANDE							
■	309573-4-00	1	gruppo salva ago	rear needle guard assembly	groupe protégé-aiguille		
62	305171-0-00	1	salva ago	rear needle guard	protège-aiguille		
Tav. 10							
▲	309801-4-00	1	morsetto porta aghi completo	needles clamp assembly	porte-aiguille complet		
26	309752-2-00	1	morsetto porta aghi	needles clamp	porte-aiguilles		
27	745810-2-00	3	vite	screw	vis		
28	766000-6-90	3	ago sist.Rim 63 fin.90	needle syst.Rim 63 size 90	aiguille syst.Rim 63 jauge 90		
45	309770-0-00	1	passafilo	thread guide	pass-fil		
Tav. 15							
★	308531-4-00	1	gruppo tensioni	tensions assembly	groupe tensions		
20	308506-0-00	4	pernetto	pin	pivot		
21	308501-0-01	4	passafilo	thread guide	passe-fil		
22	308503-0-01	4	guidafilo	thread guide	guide-fil		
25	308505-0-00	4	perno a vite	pin	pivot		
26	300218-0-00	8	disco tensione	tension disc	disque tension		
27	308507-0-00	4	rondella	washer	rondelle		
28	202556-0-00	4	scodellino	cup	cuvette		
29	200710-0-10	3	molla	spring	ressort		
30	202229-0-10	4	bussola superiore	upper bush	bague supérieure		
31	202558-2-00	4	pomolo	knob	pommeau		
33	308518-4-00	3	tensione sup.con molla fig.29	upper tension with spring fig.29	tension sup.avec ressort fig.29		

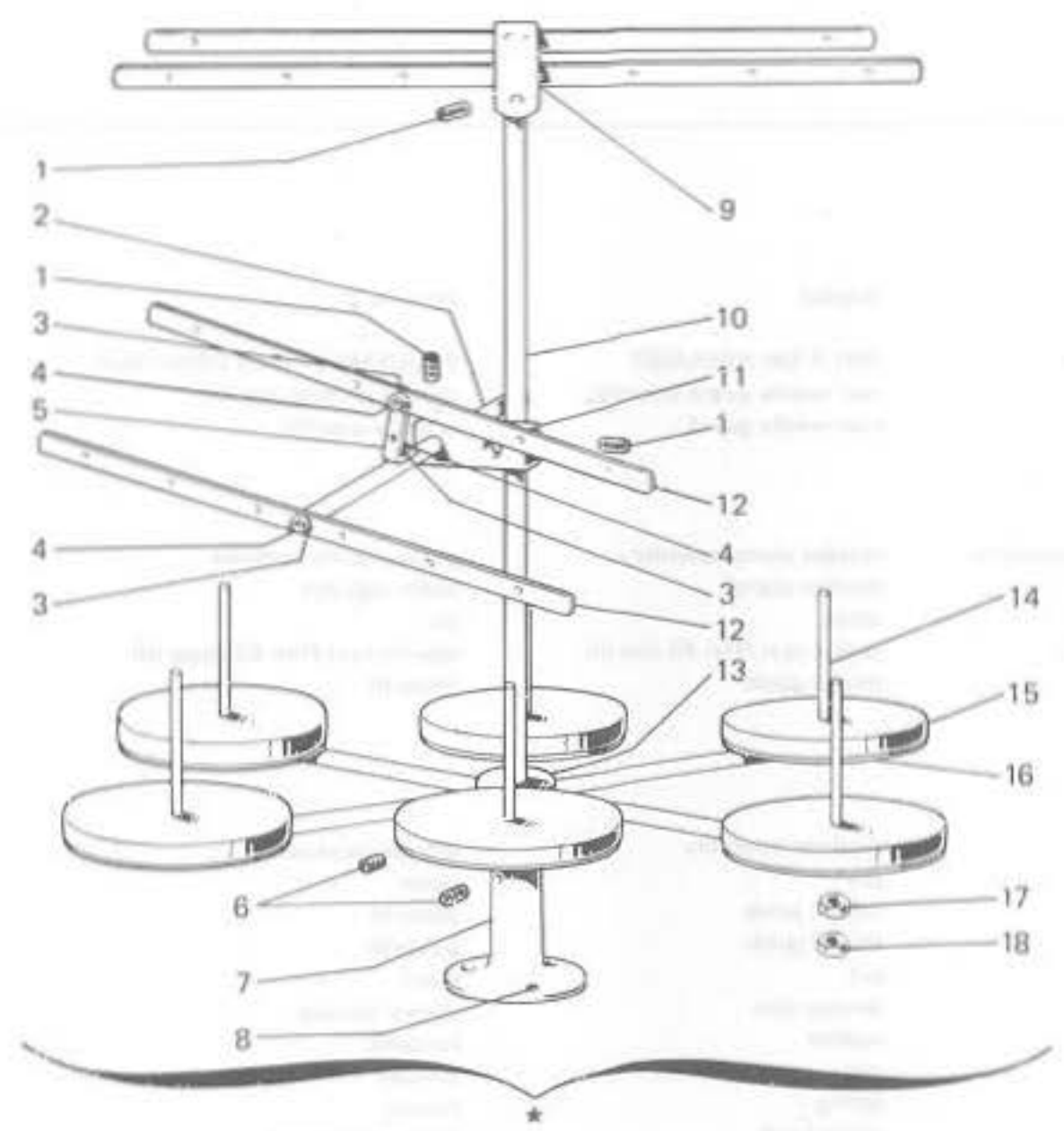


Fig. N. Abb. N.	Part. N. Bestell N. Pieze N.	Qt. Anzahl	DESCRIZIONE	DESCRIPTION	DESCRIPTION	BENENNUNG	DESCRIPCION
★	991135-5-00	1	porta bobine compl.(5-6 fili)	bobbin carrier ass.(5-6 threads)	porte bobine compl.(5-6 fils)		
1	729034-2-00	4	vite	screw	vis		
2	991106-2-00	1	asta con rondella e vite	rod with washer and screw	tige avec rondelle et vis		
3	703005-0-00	3	rondella	washer	rondelle		
4	722431-2-00	3	vite	screw	vis		
5	991107-2-00	1	squadretta con viti e rond.	bracket with screws and washers	équerre avec vis et rondelles		
6	729054-2-00	4	vite	screw	vis		
7	991114-2-00	2	basetta con vite	base with screw	base avec vis		
8	731107-2-00	3	vite da legno	screw	vis		
9	991139-3-00	1	telaio super.compl.	upper frame assembly	bâti supérieur complet		
10	991113-0-00	1	asta principale	main rod	tige principale		
11	991128-2-00	1	blocchetto con viti	block with screws	bloc avec vis		
12	991137-2-00	2	telaio con bussole	frame with bushes	bâti avec bague		
13	991144-3-00	1	mozzo con aste e viti	hub with rods and screws	moyeu avec tiges et vis		
14	991111-2-00	6	astina con dadi	rod with nuts	petite tige avec écrou		
15	991179-0-00	6	disco	disc	disque		
16	991112-0-00	6	piatto	disc	plateau		
17	733508-2-00	6	dado	nut	écrou		
18	925433-0-00	6	dado	nut	écrou		

Fig. N. Abb. N.	Part. N. Piec. N. Bestell N. Pieza N.	Qt. Anzahl	DESCRIZIONE	DESCRIPTION	DESCRIPTION	BENENNUNG	DESCRIPCION
—	308346-5-01	1	gruppo porta griffa completa (con ★-31-32-37-41-42-46)	feed dog holder assembly (with★-31-32-37-41-42-46)	groupe porte-griffe (avec★-31-32-37-41-42-46)		
★	308192-4-01	1	gruppo porta griffa	feed dog holder assembly	groupe porte-griffe		
●	308286-4-00	1	gruppo leva	lever assembly	groupe levier		
◆	308340-4-00	1	gruppo comando crochet	looper control assembly	groupe commande crochet		
1	740475-2-00	1	vite	screw	vis		
2	300228-0-10	1	bussola	bush	bague		
3	308194-0-01	1	settore	sector	secteur		
4	740257-0-00	1	vite	screw	vis		
5	740243-0-00	1	vite	screw	vis		
6	704805-0-00	2	rondella	washer	rondelle		
7	202486-0-10	1	vite	screw	vis		
8	301519-2-11	1	attacco	clamp	raccord		
9	742813-0-00	1	vite	screw	vis		
10	308285-0-00	1	perno	pin	pivot		
11	308283-2-00	1	leva comando porta griffa	lever	levier		
12	308191-4-00	1	supporto oscillante compl.	oscillating support assembly	support coulissant complet		
13	729013-2-00	2	vite	screw	vis		
14	308193-2-00	1	supporto con viti	support with screws	support avec vis		
15	308190-0-00	2	anello di tenuta	retainer ring	bague d'étanchéité		
16	300362-0-11	1	cursore	slider	courseur		
17	308276-0-10	1	vite	screw	vis		
18	308196-0-10	1	bussola	bush	bague		
19	308275-2-00	1	biella	con-rod	bielle		
20	746404-0-00	1	dado	nut	écrou		
21	778412-0-00	1	stoppino	wick	mèche		
22	745815-2-00	1	vite	screw	vis		
23	309560-0-00	2	rondella	washer	rondelle		
24	300361-0-11	1	piastrina	plate	plaque		
25	300231-0-20	1	slitta porta griffa	feed dog slide	glissière porte griffe		
26	721444-2-00	1	vite fissa griffa	screw	vis		
27	706434-0-00	2	spina	pin	goupille		
28	741928-0-00	4	vite	screw	vis		
29	300371-0-10	2	squadretta	bracket	équerre		
30	302028-0-12	1	braccio porta griffa	feed dog arm	bras porte-griffe		
31	300209-0-10	2	perno	pin	pivot		
32	778238-0-00	2	stoppino	wick	mèche		
33	308195-0-00	1	perno	pin	pivot		
34	308289-2-00	1	perno per supporto oscillante	pin	pivot		
35	778522-0-00	1	stoppino	wick	mèche		
36	741546-2-00	2	vite fissa griffa	screw	vis		
37	742811-0-00	1	vite	screw	vis		
38	728232-0-00	1	vite	screw	vis		
39	704846-0-00	1	rondella	washer	rondelle		
40	745136-2-00	3	vite	screw	vis		
41	308030-2-00	1	eccentrico con viti fig.42	eccentric with screw fig.42	excentrique avec vis fig.42		
42	727215-0-00	7	vite	screw	vis		
43	302152-0-10	1	vite	screw	vis		
44	704406-0-00	1	rondella	washer	rondelle		

Fig. N. Abb. N.	Part. N. Piec. N. Bestell N. Pieza N.	Qt. Anzahl	DESCRIZIONE	DESCRIPTION	DESCRIPTION	BENENNUNG	DESCRIPCION
45	300364-0-10	1	squadretta	bracket	équerre		
46	301459-4-10	2	giunto compl.per eccentrico	joint assembly for eccentric	joint compl.pour excentrique		
47	301458-0-10	2	giunto	joint	joint		
48	301579-0-10	2	gabbia a rullini	needles cage	cage à aiguilles		
49	201143-0-10	4	anello di tenuta	circlip	circlip		
50	308287-0-00	1	anello di tenuta	retainer ring	bague d'étanchéité		
51	704347-2-00	1	rondella	washer	rondelle		
52	309839-2-00	1	anello di registro	adjustment ring	bague de réglage		
53	309838-2-00	1	anello di registro	adjustment ring	bague de réglage		
54	308029-2-00	1	eccentrico con viti fig.42	eccentric with screws fig.42	excentrique avec vis fig.42		
55	729011-2-00	1	vite	screw	vis		
56	303459-2-11	1	braccio	arm	bras		
57	704218-2-00	1	rondella	washer	rondelle		
58	300377-0-10	1	vite	screw	vis		
59	308971-3-00	1	tendifilo a camma con viti	cam thread take-up with screws	tendeur du fil à came avec vis		
60	308119-0-00	1	anello di tenuta	retainer ring	bague d'étanchéité		
61	308967-2-00	1	anello limitatore	limiter ring	bague		
			SOLO A RICHIESTA	ONLY ON REQUEST	SEULEMENT SUR DEMANDE		
■	309572-4-01	1	gruppo salva ago	rear needle guard assembly	groupe protégé-aiguille		
62	305170-0-01	1	salva ago	rear needle guard	protège-aiguille		
63	305172-0-00	1	vite	screw	vis		